

F

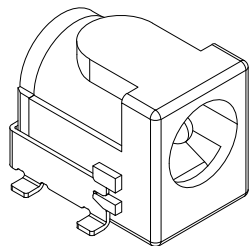
E

D

C

B

A

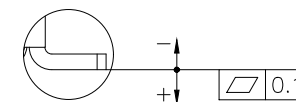
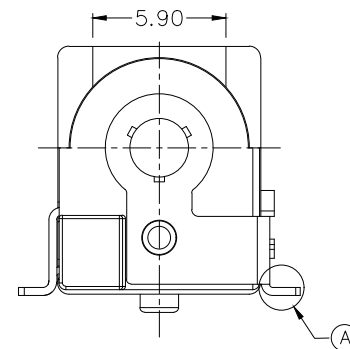
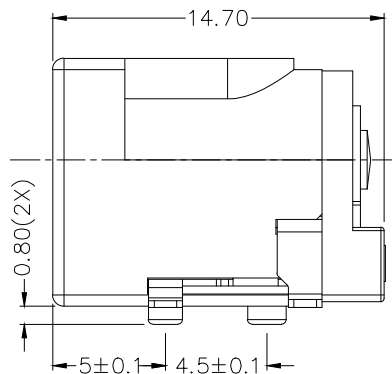
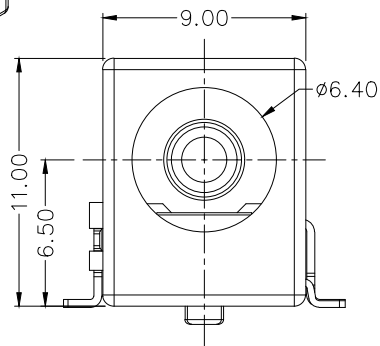


RoHS  
Compliant

ZONE	SYMBOL	REVISION	APPROVAL	DATE
		UPDATE DRAWING	H.Q.ZHOU	18-7-2024

1

1



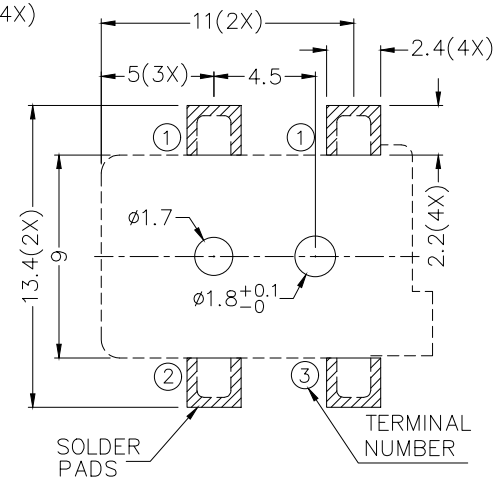
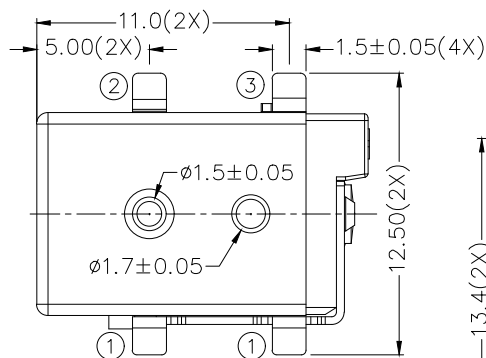
A DETAIL COPLANARITY

2

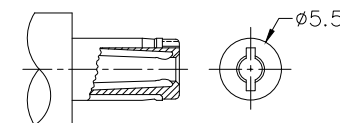
2

## \* MATERIAL

CENTRE PIN : BRASS  
 TERMINAL 1 : BRASS  
 TERMINAL 2 : COPPER ALLOY  
 TERMINAL 3 : BRASS  
 HOUSING : HIGH TEMP.PLASTIC  
 COVER : HIGH TEMP.PLASTIC



RECOMMENDED PCB LAYOUT  
 TOLERANCE: ±0.05  
 (TOP VIEW)



RECOMMENDED  
 DC MATING PLUG

3

3

MODEL NO.	LDC-016H
SCHEMATIC	
CENTER PIN	$\phi 2^{+0}_{-0.05}$ mm
	$\phi 2.5^{+0}_{-0.05}$ mm

4

4



LINKPLEX TECHNOLOGY LIMITED

DESIGN	T.Y.LI	DATE	18-10-2005	SCALE	3:1
DRAWING	N.X.LIU	DATE	18-7-2024	MATERIAL	*
CHECK	J.X.KUANG	DATE	18-7-2024	DWG. NO.	TZ\DC016H-A/2.0
APPROVAL	H.Q.ZHOU	DATE	18-7-2024	SHEET	1/1

PART NAME	HIGH CURRENT SMD DC POWER SOCKET	TOLERANCE UNLESS	0±0.5 0.0±0.3	UNIT:	
PART NO.	LDC-016H	OTHERWISE SPECIFIED:	0.00±0.2		

F

E

D

C

B

A