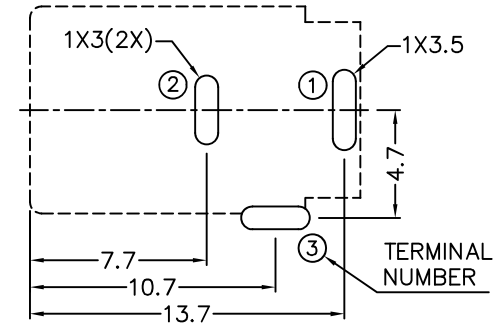
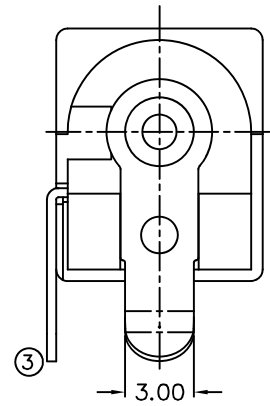
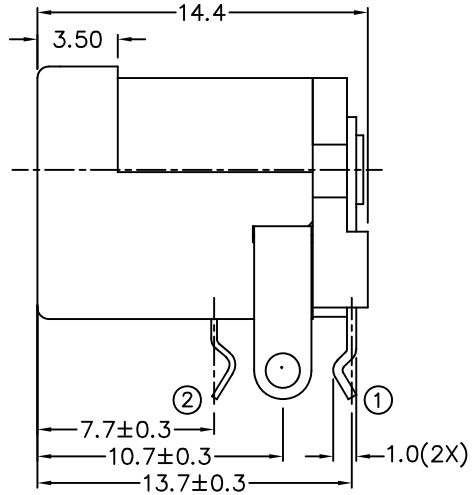
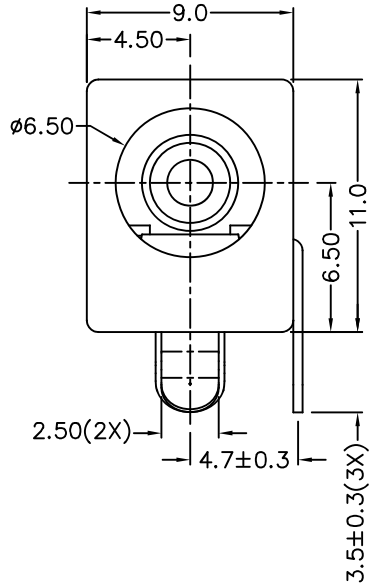
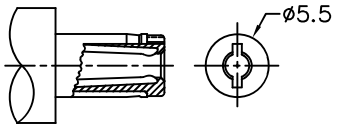


RoHS
Compliant

ZONE	SYMBOL	REVISION	APPROVAL	DATE



RECOMMENDED PCB LAYOUT
TOLERANCE: ±0.05
(TOP VIEW)



DC MATE PLUG

MODEL NO.	LDC-021-2
SCHEMATIC	
CENTER PIN	ø1.65mm
	ø2mm
	ø2.5mm

* MATERIAL

- CENTRE PIN : COPPER
- TERMINAL 1 : BRASS
- TERMINAL 2 : COPPER ALLOY
- TERMINAL 3 : BRASS
- HOUSING : THERMOPLASTIC
- COVER : THERMOPLASTIC

LINKPLEX TECHNOLOGY LIMITED

PART NAME	DC POWER SOCKET	TOLERANCE UNLESS	0.0±0.2	UNIT:	DESIGN	J.M.KWAN	DATE	16-1-2004	SCALE	3:1
PART NO.	LDC-0021-2	OTHERWISE SPECIFIED:	0.00±0.1	mm	DRAWING	H.Q.ZHOU	DATE	24-11-2016	MATERIAL	*
			0.000±0.05		CHECK	H.L.TAN	DATE	24-11-2016	DWG. NO.	TZ\DC021-2-B/1.0
					APPROVAL		DATE	24-11-2016	SHEET	1/1