

F

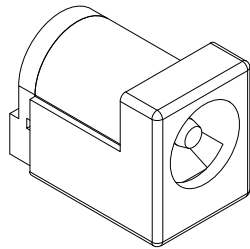
E

D

C

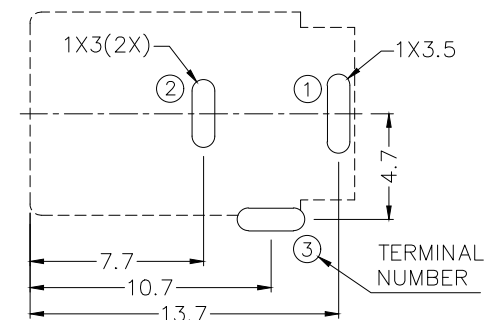
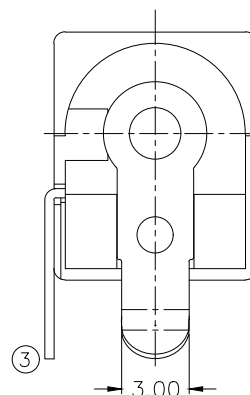
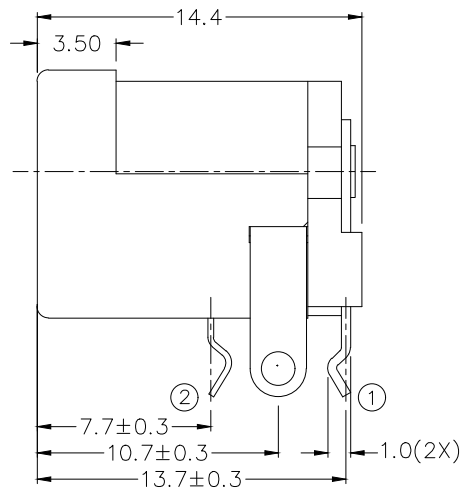
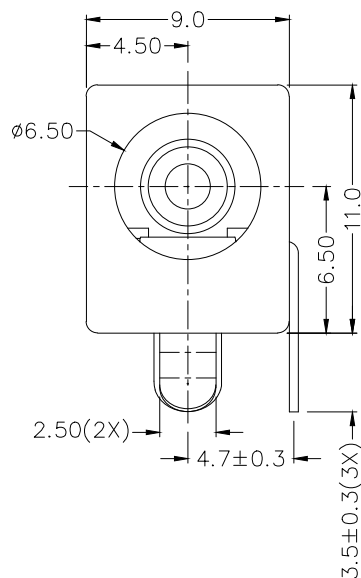
B

A



RoHS
Compliant

ZONE	SYMBOL	REVISION	APPROVAL	DATE

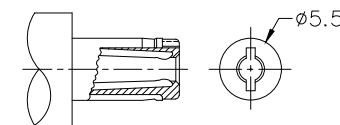


RECOMMENDED PCB LAYOUT
TOLERANCE: ± 0.05
(TOP VIEW)

MODEL NO.	LDC-021H-2
SCHEMATIC	
CENTER PIN	$\phi 1.650\text{mm}$
	$\phi 2.000\text{mm}$
	$\phi 2.5^{+0}_{-0.1}\text{mm}$

* MATERIAL

CENTRE PIN : COPPER
TERMINAL 1 : BRASS
TERMINAL 2 : COPPER ALLOY
TERMINAL 3 : BRASS
HOUSING : THERMOPLASTIC
COVER : THERMOPLASTIC



RECOMMENDED
DC MATING PLUG



LINKPLEX TECHNOLOGY LIMITED

DESIGN	T.Y.LI	DATE	30-1-2004	SCALE	3:1
DRAWING	N.X.LIU	DATE	15-10-2023	MATERIAL	*
CHECK	H.L.TAN	DATE	15-10-2023	DWG. NO.	TZ\DC021H-2-B/1.0
APPROVAL	H.Q.ZHOU	DATE	15-10-2023	SHEET	1/1
PART NAME	HIGH CURRENT DC POWER SOCKET	TOLERANCE UNLESS	0.0 \pm 0.2 0.00 \pm 0.1	UNIT:	
PART NO.	LDC-021H-2	OTHERWISE SPECIFIED:	0.000 \pm 0.05	mm	

F

E

D

C

B

A