

F

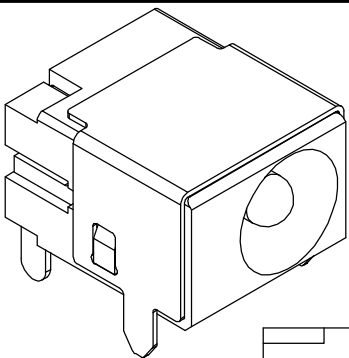
E

D

C

B

A

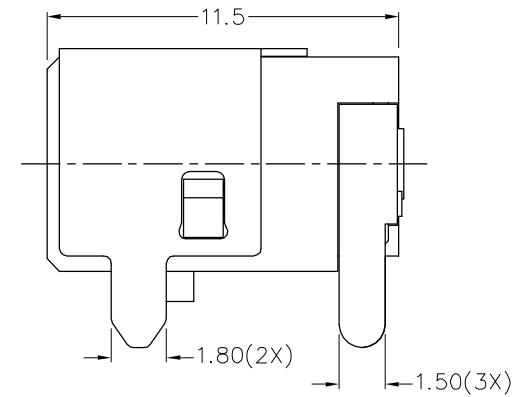
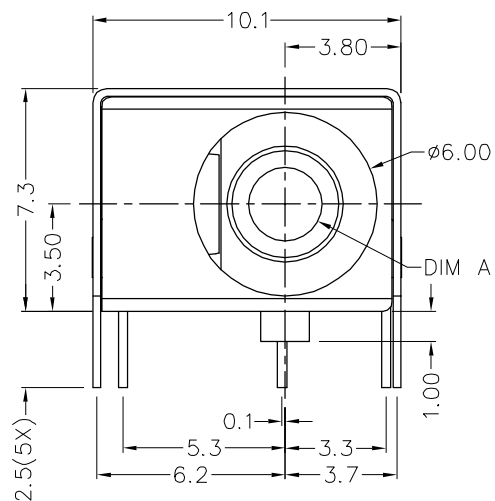
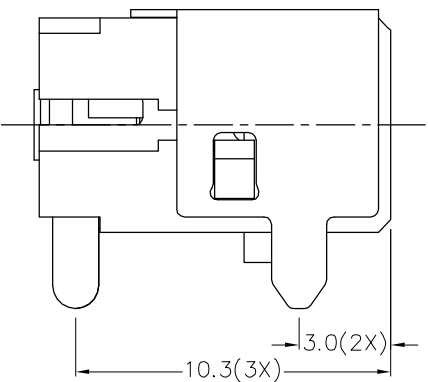


RoHS
Compliant

ZONE	SYMBOL	REVISION	APPROVAL	DATE
		ADD CENTER PIN TOLERANCE	H.Q.ZHOU	31-10-2024

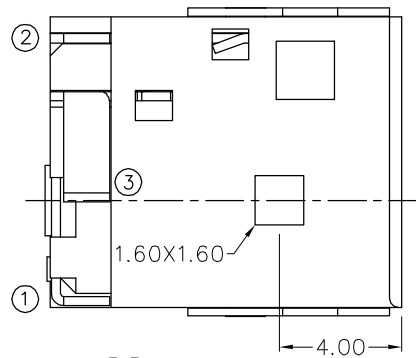
1

1



2

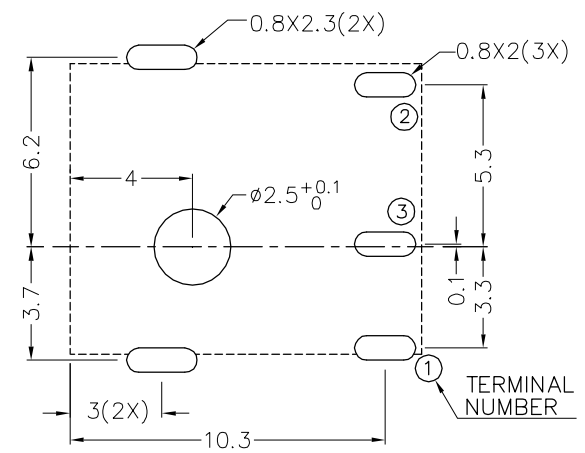
2



*** MATERIAL**

- CENTRE PIN : COPPER
- TERMINAL 1 : BRASS
- TERMINAL 2 : COPPER ALLOY
- TERMINAL 3 : BRASS
- SHIELD : BRASS
- HOUSING : HIGH TEMP. PLASTIC

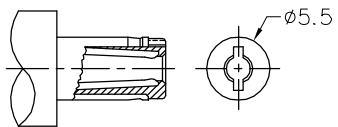
MODEL NO.	LDC-048H2S	DIM A
SCHEMATIC		
CENTER PIN	ø1.65mm	ø1.65±0.03mm
	ø2mm	ø2.00±0.05mm
	ø2.5mm	ø2.40 ^{+0.05} ₋₀ mm



RECOMMENDED PCB LAYOUT
TOLERANCE: ±0.05
(TOP VIEW)

3

3



RECOMMENDED
DC MATING PLUG

4

4

LINKPLEX TECHNOLOGY LIMITED

DESIGN	T.Y.LI	DATE	29-3-2004	SCALE	4:1
DRAWING	J.H.ZHOU	DATE	31-10-2024	MATERIAL	*
CHECK	H.L.TAN	DATE	31-10-2024	DWG. NO.	TZ\DC048H2S-A/1.2
APPROVAL	H.Q.ZHOU	DATE	31-10-2024	SHEET	1/1

PART NAME	HIGH CURRENT DC POWER SOCKET	TOLERANCE UNLESS	0.0±0.2	UNIT:	
PART NO.	LDC-048H2S	OTHERWISE SPECIFIED:	0.00±0.1	mm	

F

E

D

C

B

A