

F

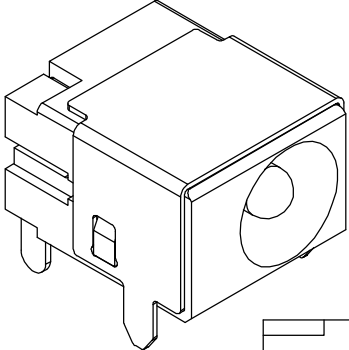
E

D

C

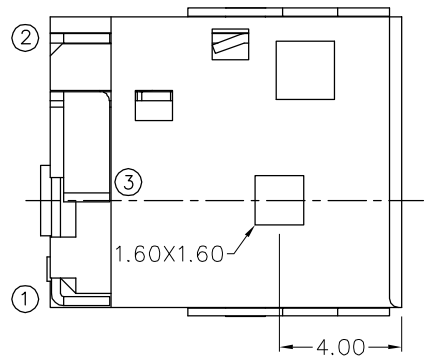
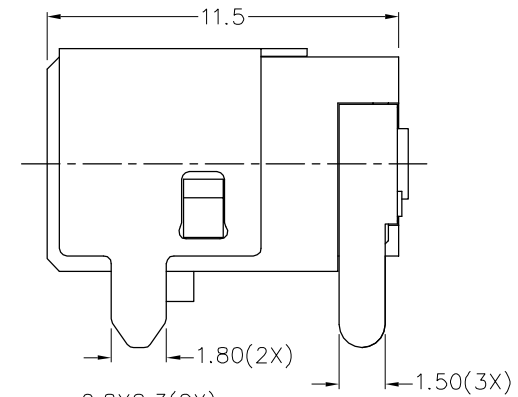
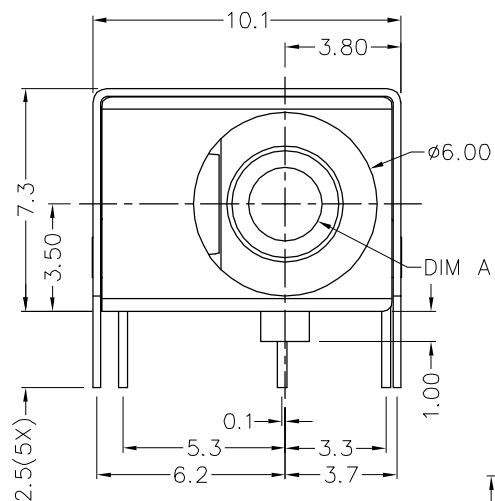
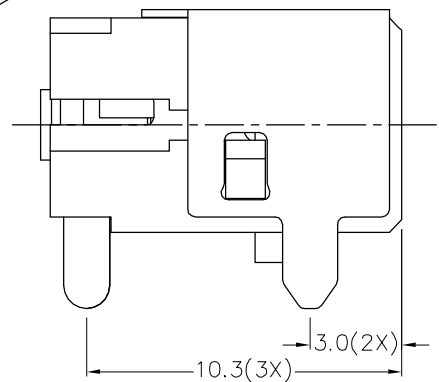
B

A



RoHS
Compliant

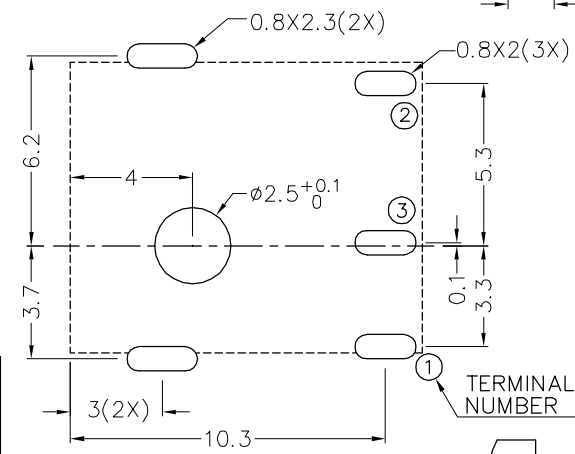
ZONE	SYMBOL	REVISION	APPROVAL	DATE
		ADD CENTER PIN TOLERANCE	H.Q.ZHOU	31-10-2024



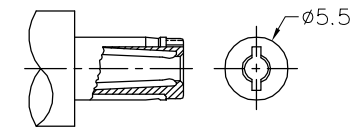
* MATERIAL

CENTRE PIN : COPPER
 TERMINAL 1 : BRASS
 TERMINAL 2 : COPPER ALLOY
 TERMINAL 3 : BRASS
 SHIELD : BRASS
 HOUSING : THERMOPLASTIC

MODEL NO.	LDC-048HS	DIM A
SCHEMATIC		
CENTER PIN	ø1.65mm	ø1.65±0.03mm
	ø2mm	ø2.00±0.05mm
	ø2.5mm	ø2.40 ^{+0.05} ₋₀ mm



RECOMMENDED PCB LAYOUT
 TOLERANCE: ±0.05
 (TOP VIEW)



RECOMMENDED
 DC MATING PLUG



LINKPLEX TECHNOLOGY LIMITED

DESIGN	T.Y.LI	DATE	29-3-2004	SCALE	4:1
DRAWING	N.X.LIU	DATE	31-10-2024	MATERIAL	*
CHECK	J.X.KUANG	DATE	31-10-2024	DWG. NO.	TZ\DC048HS-B/1.1
APPROVAL	H.Q.ZHOU	DATE	31-10-2024	SHEET	1/1

PART NAME	HIGH CURRENT DC POWER SOCKET	TOLERANCE UNLESS	0.0±0.2	UNIT:	
PART NO.	LDC-048HS	OTHERWISE SPECIFIED:	0.00±0.1	mm	

F

E

D

C

B

A