

F

E

D

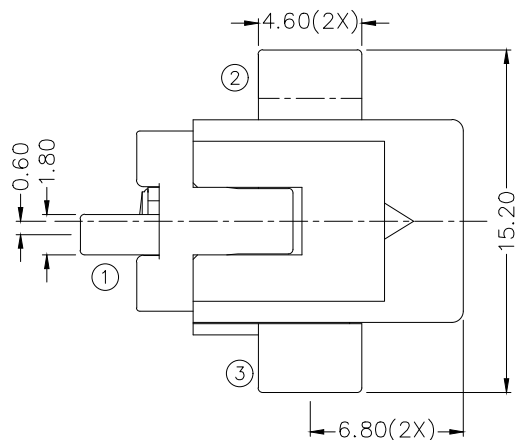
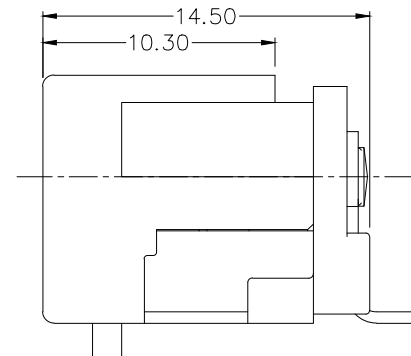
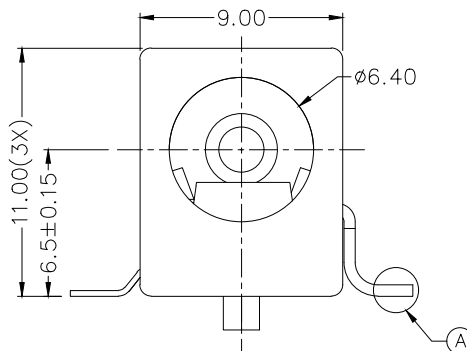
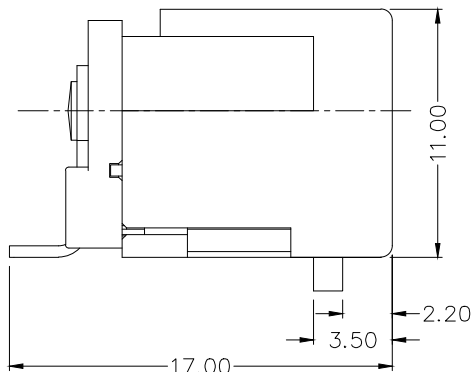
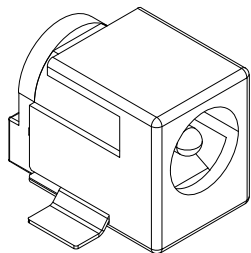
C

B

A

ZONE	SYMBOL	REVISION	APPROVAL	DATE
		UPDATE PCB LAYOUT	H.Q.ZHOU	16-7-2024

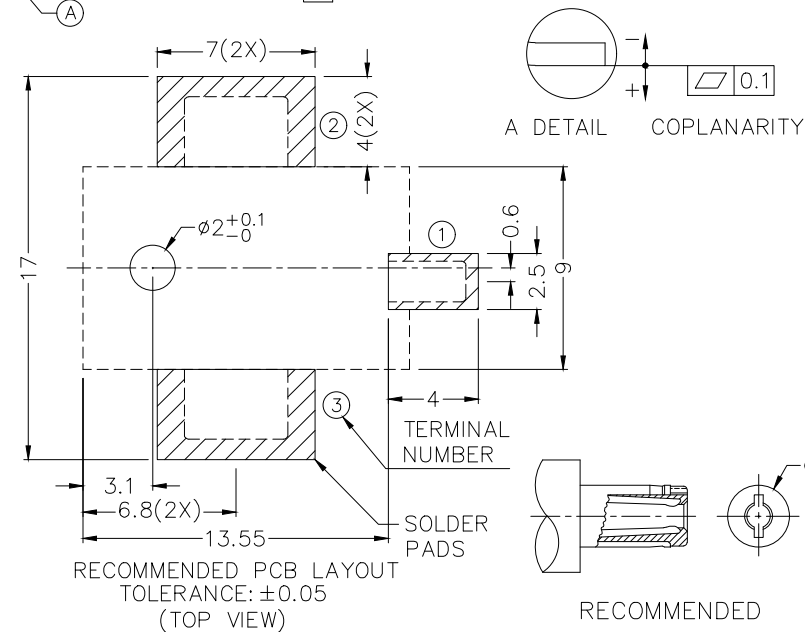
RoHS
Compliant



*** MATERIAL**

CENTRE PIN : BRASS
 TERMINAL 1 : BRASS
 TERMINAL 2 : COPPER ALLOY
 TERMINAL 3 : BRASS
 HOUSING : HIGH TEMP. PLASTIC
 COVER : HIGH TEMP. PLASTIC

MODEL NO.	LDC-061DH
SCHEMATIC	
CENTER PIN	$\phi 2^{+0}_{-0.1}$ mm $\phi 2.5^{+0}_{-0.1}$ mm



LINKPLEX TECHNOLOGY LIMITED

DESIGN	T.Y.LI	DATE	5-7-2005	SCALE	3:1
DRAWING	J.CH.OU	DATE	16-7-2024	MATERIAL	*
CHECK	H.L.TAN	DATE	16-7-2024	DWG. NO.	TZ\DC061DH-A/1.1
APPROVAL	H.Q.ZHOU	DATE	16-7-2024	SHEET	1/1

PART NAME	HIGH CURRENT SMD DC POWER SOCKET	TOLERANCE UNLESS	0±0.3 0.0±0.25	UNIT:	mm
PART NO.	LDC-061DH	OTHERWISE SPECIFIED:	0.00±0.2		

F

E

D

C

B

A