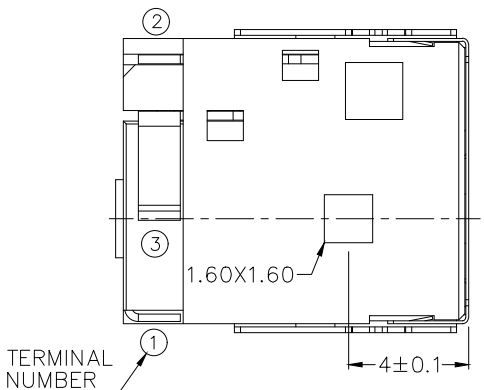
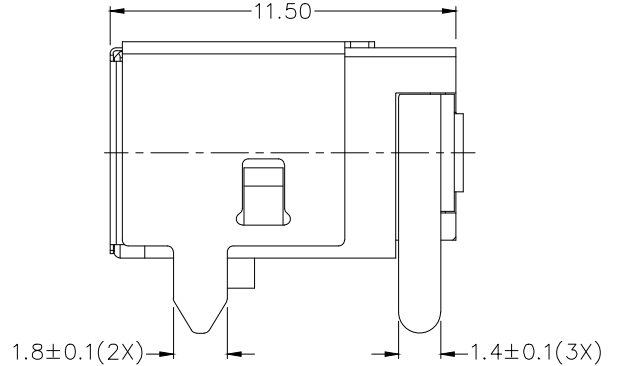
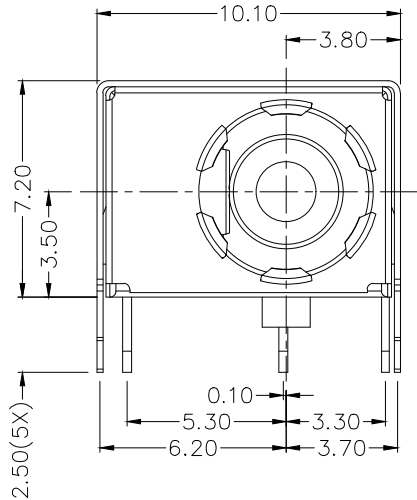
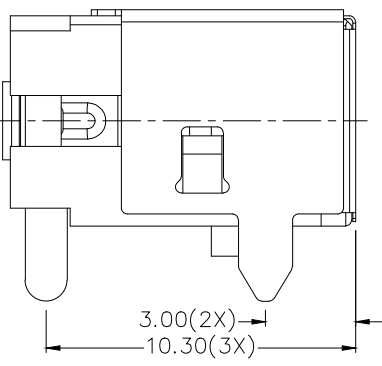


**RoHS**  
Compliant

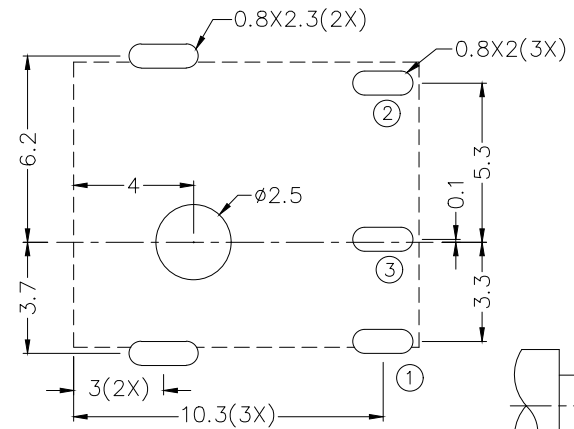
ZONE	SYMBOL	REVISION	APPROVAL	DATE
		ADD CENTER PIN TOLERANCE	H.Q.ZHOU	31-10-2024



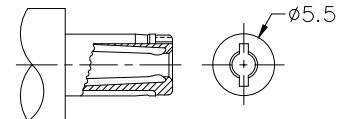
\* MATERIAL

- CENTRE PIN : COPPER
- TERMINAL 1 : BRASS
- TERMINAL 2 : COPPER ALLOY
- TERMINAL 3 : BRASS
- SHIELD-A : BRASS
- SHIELD-B : STAINLESS STEEL
- HOUSING : THERMOPLASTIC

MODEL NO.	LDC-069S
SCHEMATIC	
CENTER PIN	$\varnothing 2 \begin{smallmatrix} +0 \\ -0.05 \end{smallmatrix} \text{ mm}$
	$\varnothing 2.5 \begin{smallmatrix} +0 \\ -0.05 \end{smallmatrix} \text{ mm}$



RECOMMENDED PCB LAYOUT  
TOLERANCE:  $\pm 0.05$   
(TOP VIEW)



RECOMMENDED  
DC MATING PLUG

**LINKPLEX TECHNOLOGY LIMITED**

PART NAME	DC POWER SOCKET	TOLERANCE UNLESS	$0 \pm 0.5$	UNIT:
PART NO.	LDC-069S	OTHERWISE SPECIFIED:	$0.0 \pm 0.3$ $0.00 \pm 0.2$	

DESIGN	G.P.YI	DATE	1-3-2007	SCALE	4:1
DRAWING	J.H.ZHOU	DATE	31-10-2024	MATERIAL	*
CHECK	H.L.TAN	DATE	31-10-2024	DWG. NO.	TZ\DC069S-B/2.1
APPROVAL	H.Q.ZHOU	DATE	31-10-2024	SHEET	1/1