

F

E

D

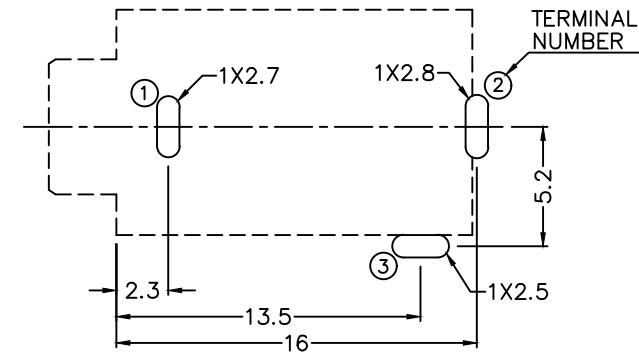
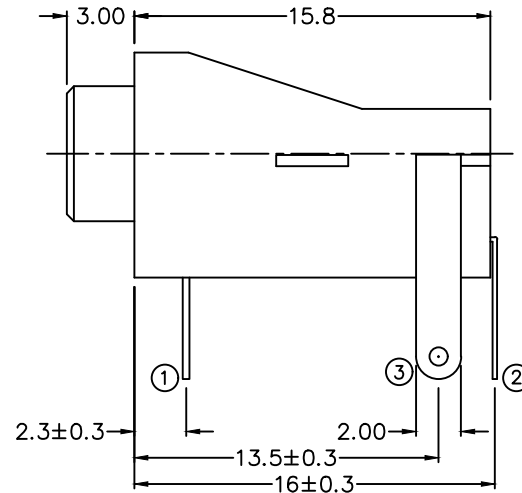
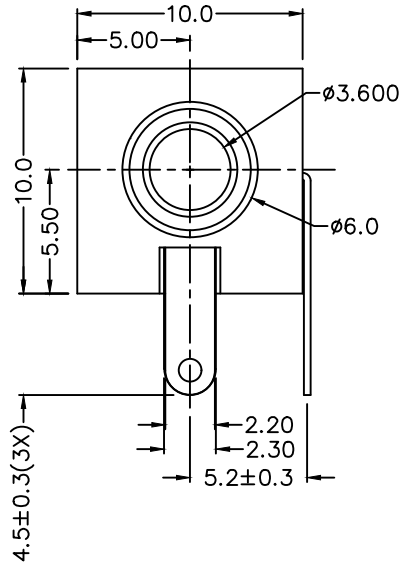
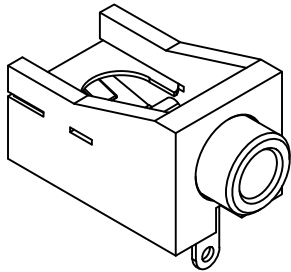
C

B

A

ZONE	SYMBOL	REVISION	APPROVAL	DATE

RoHS  
Compliant

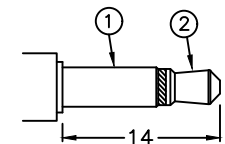


RECOMMENDED PCB LAYOUT  
TOLERANCE: ±0.05  
(TOP VIEW)

MODEL NO.	LH-35F
SCHEMATIC	

\* MATERIAL

- TERMINAL 1 : BRASS
- TERMINAL 2 : COPPER ALLOY
- TERMINAL 3 : BRASS
- BUSHING : BRASS
- HOUSING : THERMOPLASTIC



RECOMMENDED  
ø3.5 MATING PLUG

LINKPLEX TECHNOLOGY LIMITED

DESIGN	T.Y.LI	DATE	2-10-2003	SCALE	3:1
DRAWING	Y.J.GUO	DATE	22-7-2024	MATERIAL	*
CHECK	H.L.TAN	DATE	22-7-2024	DWG. NO.	TZ\ LH35F-B/1.0
APPROVAL	H.Q.ZHOU	DATE	22-7-2024	SHEET	1/1

PART NAME	3.5mm PHONE JACK	TOLERANCE UNLESS	0.0±0.2	UNIT:	
PART NO.	LH-35F	OTHERWISE SPECIFIED:	0.00±0.1	mm	

F

E

D

C

B

A