

F

E

D

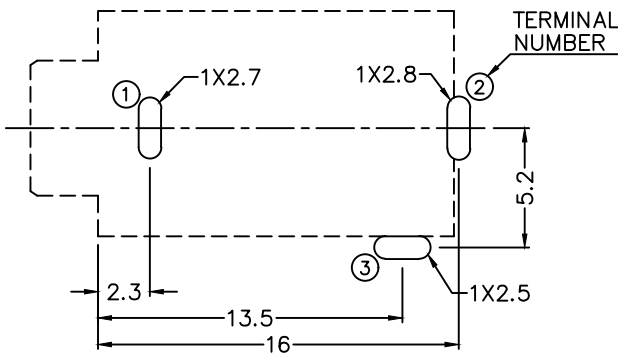
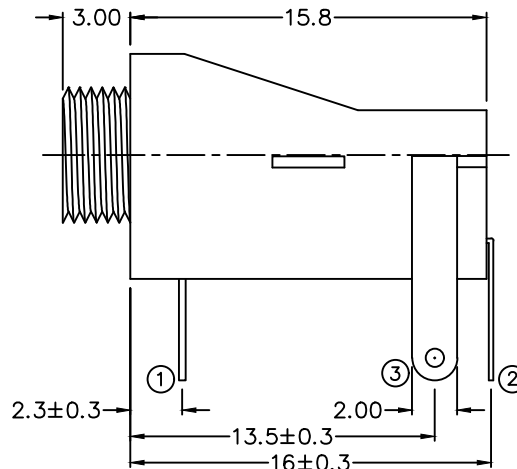
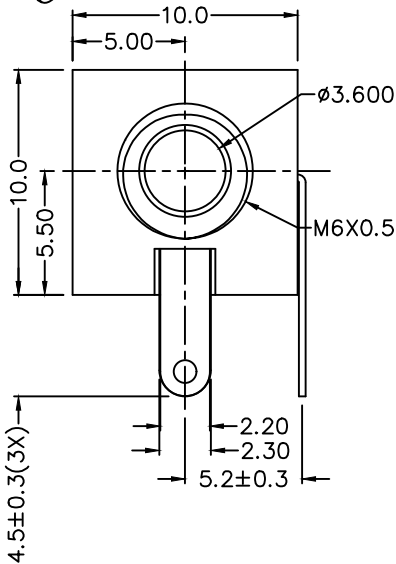
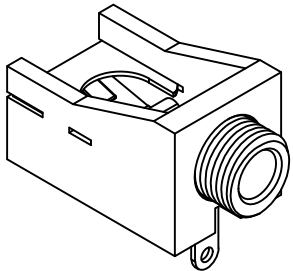
C

B

A

ZONE	SYMBOL	REVISION	APPROVAL	DATE

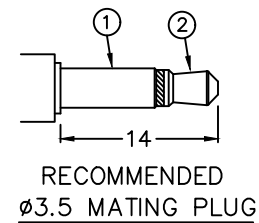
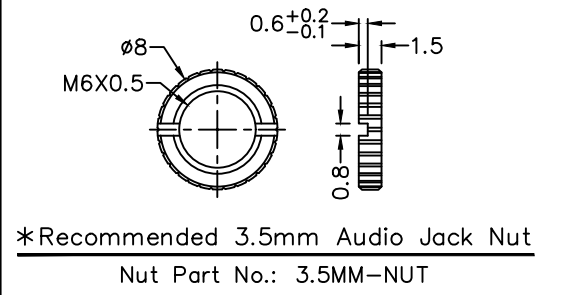
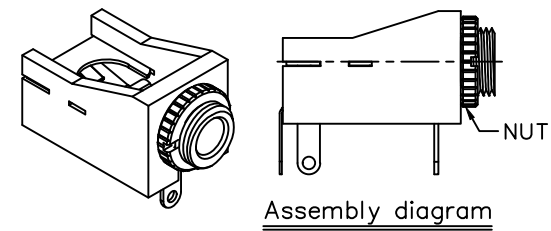
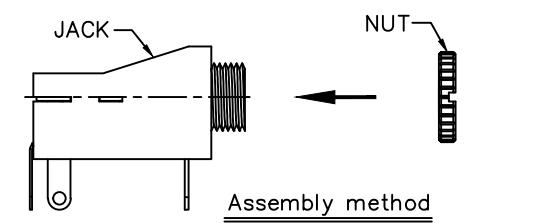
RoHS  
Compliant



RECOMMENDED PCB LAYOUT  
TOLERANCE: ±0.05  
(TOP VIEW)

**\* MATERIAL**  
 TERMINAL 1 : BRASS  
 TERMINAL 2 : COPPER ALLOY  
 TERMINAL 3 : BRASS  
 BUSHING : BRASS  
 HOUSING : THERMOPLASTIC

MODEL NO.	LH-35N
SCHEMATIC	



**LINKPLEX TECHNOLOGY LIMITED**

PART NAME	3.5mm PHONE JACK	TOLERANCE UNLESS	0.0±0.2 0.00±0.1	UNIT:	mm
PART NO.	LH-35N	OTHERWISE SPECIFIED:	0.000±0.05		

DESIGN	T.Y.LI	DATE	2-10-2003	SCALE	3:1
DRAWING	Y.J.GUO	DATE	22-7-2024	MATERIAL	*
CHECK	H.L.TAN	DATE	22-7-2024	DWG. NO.	TZ\ LH35N-B/1.0
APPROVAL	H.Q.ZHOU	DATE	22-7-2024	SHEET	1/1

F

E

D

C

B

A