

F

E

D

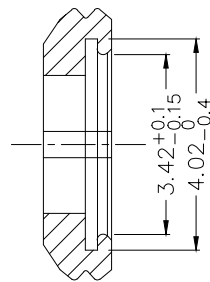
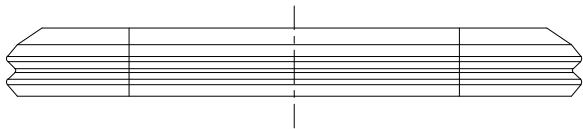
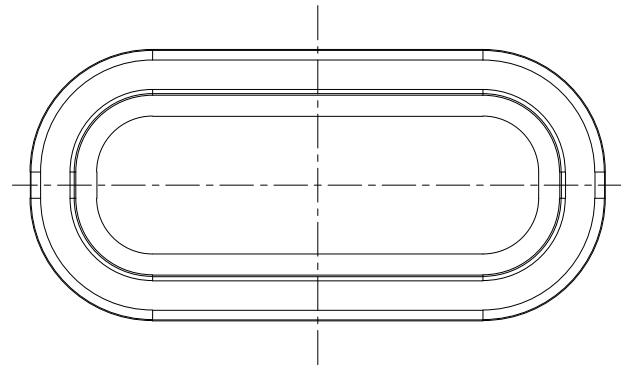
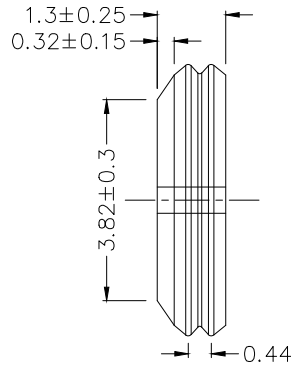
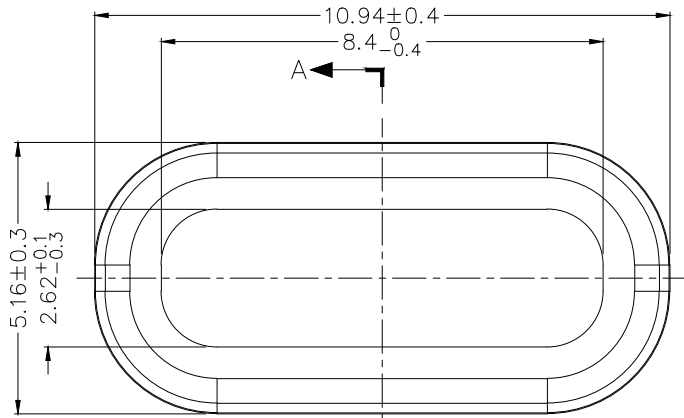
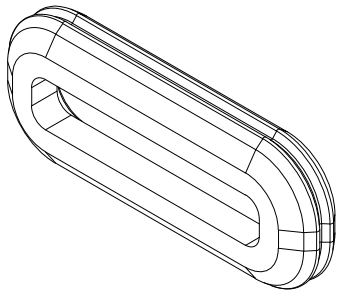
C

B

A

ZONE	SYMBOL	REVISION	APPROVAL	DATE

RoHS
Compliant



SECTION A-A

* MATERIAL

MATERIAL: SILICONE RUBBER
COLOUR: BLACK



LINKPLEX TECHNOLOGY LIMITED

PART NAME	GASKET	TOLERANCE UNLESS	0.0±0.3 0.00±0.2	UNIT:	mm
PART NO.	O-RING-11	OTHERWISE SPECIFIED:	0.000±0.1		

DESIGN	H.L.TAN	DATE	5-11-2016	SCALE	7:1
DRAWING	J.H.ZHOU	DATE	20-10-2024	MATERIAL	*
CHECK	T.Y.LI	DATE	20-10-2024	DWG. NO.	DZ\0-RING-11/1.1
APPROVAL	H.Q.ZHOU	DATE	20-10-2024	SHEET	1/1

F

E

D

C

B

A