

F

E

D

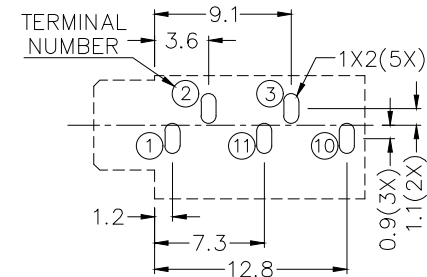
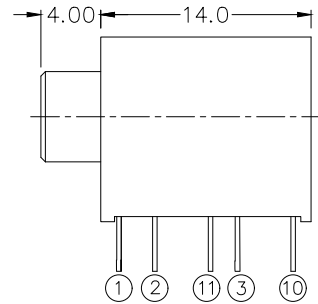
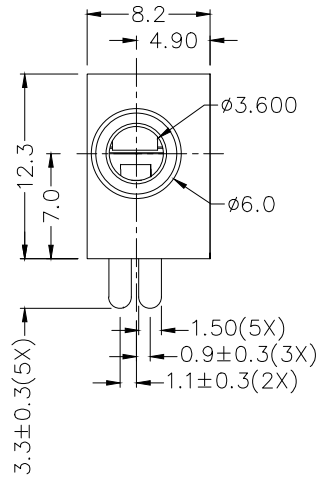
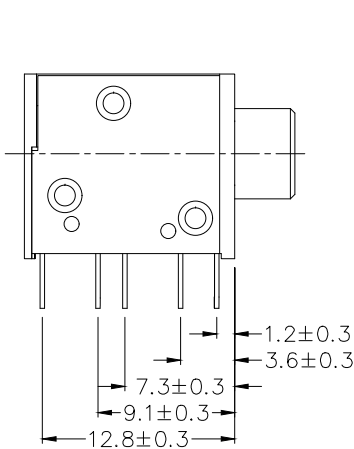
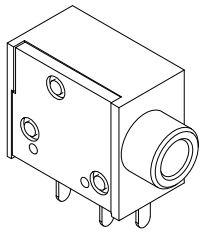
C

B

A

ZONE	SYMBOL	REVISION	APPROVAL	DATE

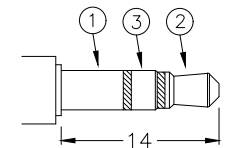
RoHS
Compliant



RECOMMENDED PCB LAYOUT
TOLERANCE: ±0.05
(TOP VIEW)

* MATERIAL

- TERMINAL 1 : BRASS
- TERMINAL 2 : BRASS
- TERMINAL 3 : BRASS
- TERMINAL 10 : BRASS
- TERMINAL 11 : BRASS
- BUSHING : BRASS
- SPRING : STAINLESS STEEL
- HOUSING : THERMOPLASTIC
- COVER : THERMOPLASTIC



RECOMMENDED
ø3.5 MATING PLUG

MODEL NO.	LSH-3555F	LSH-3554AF	LSH-3554BF	LSH-3553F	LSH-3553AF
SCHEMATIC					

LINKPLEX TECHNOLOGY LIMITED

PART NAME	3.5MM AUDIO JACK	TOLERANCE UNLESS	0.0±0.2	UNIT:		DESIGN	J.X.KUANG	DATE	21-7-2005	SCALE	2:1
PART NO.	LSH-355F	OTHERWISE SPECIFIED:	0.00±0.1			DRAWING	J.H.ZHOU	DATE	21-5-2024	MATERIAL	*
			0.000±0.05			CHECK	T.Y.LI	DATE	21-5-2024	DWG. NO.	TZ\SH355F-B/1.0
						APPROVAL	H.Q.ZHOU	DATE	21-5-2024	SHEET	1/1

F

E

D

C

B

A