

F

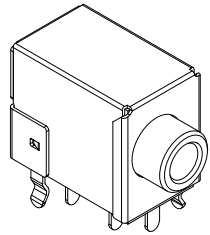
E

D

C

B

A



RoHS
Compliant

ZONE	SYMBOL	REVISION	APPROVAL	DATE

1

1

2

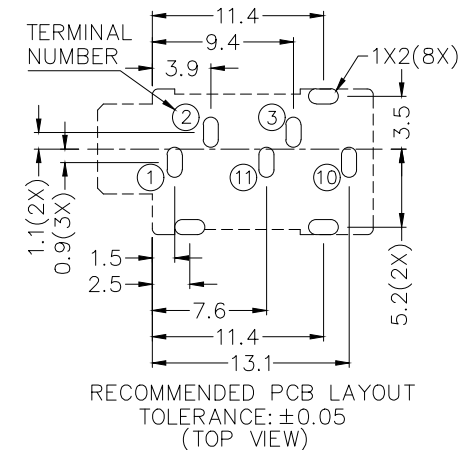
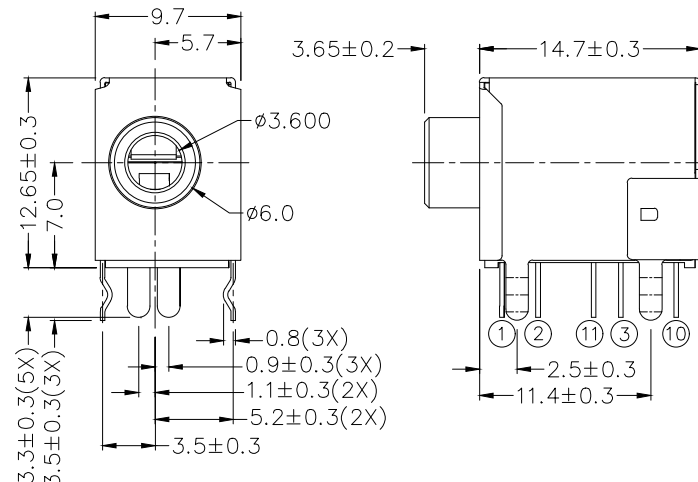
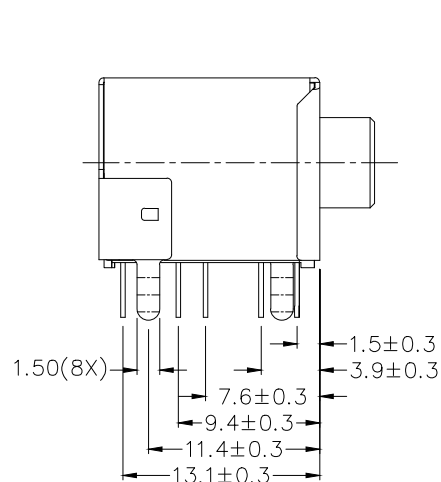
2

3

3

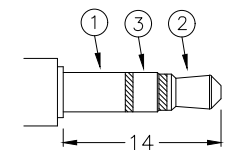
4

4



* MATERIAL

TERMINAL 1 : BRASS
 TERMINAL 2 : BRASS
 TERMINAL 3 : BRASS
 TERMINAL 10 : BRASS
 TERMINAL 11 : BRASS
 BUSHING : BRASS
 SPRING : STAINLESS STEEL
 SHIELD : COLD ROLLED STEEL
 HOUSING : THERMOPLASTIC
 COVER : THERMOPLASTIC



RECOMMENDED
ø3.5 MATING PLUG

MODEL NO.	LSH-3555FS	LSH-3554AFS	LSH-3554BFS	LSH-3553FS	LSH-3553AFS
SCHEMATIC					



LINKPLEX TECHNOLOGY LIMITED

DESIGN	J.X.KUANG	DATE	21-7-2005	SCALE	2:1
DRAWING	J.H.ZHOU	DATE	26-5-2024	MATERIAL	*
CHECK	T.Y.LI	DATE	26-5-2024	DWG. NO.	TZ\SH355FS-B/1.0
APPROVAL	H.Q.ZHOU	DATE	26-5-2024	SHEET	1/1

PART NAME	3.5MM AUDIO JACK	TOLERANCE UNLESS	0.0±0.2	UNIT:	mm
PART NO.	LSH-355FS	OTHERWISE SPECIFIED:	0.00±0.1 0.000±0.05		

F

E

D

C

B

A