

F

E

D

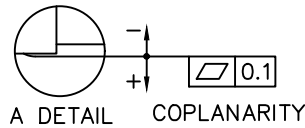
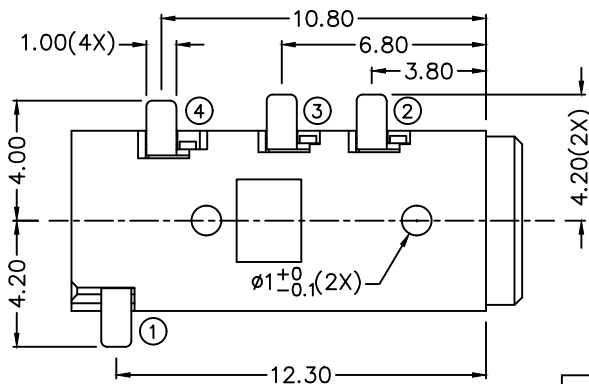
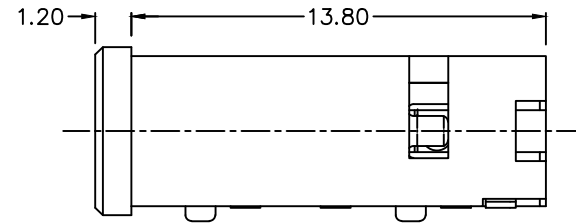
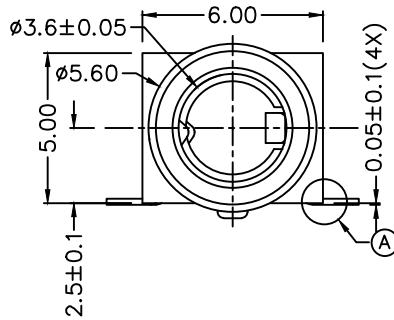
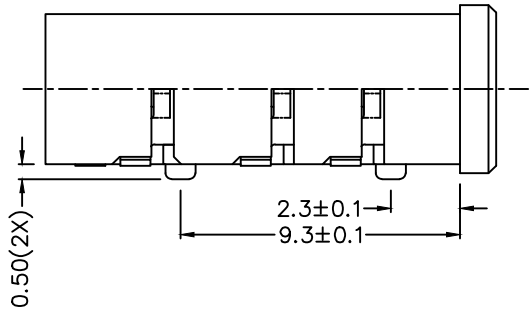
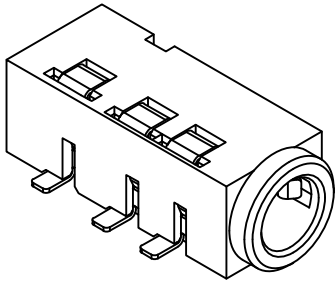
C

B

A

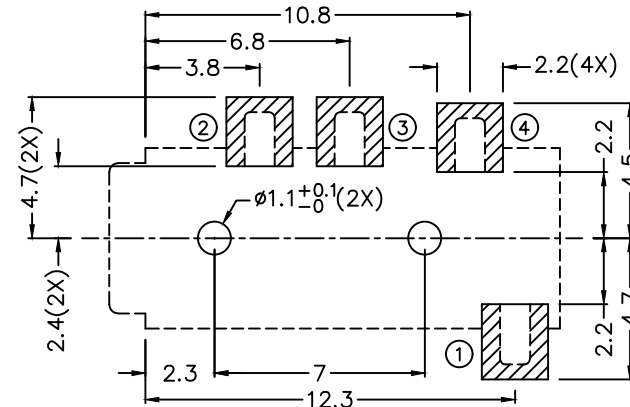
ZONE	SYMBOL	REVISION	APPROVAL	DATE

RoHS
Compliant

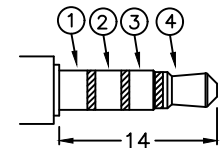


*** MATERIAL**

- TERMINAL 1 : COPPER ALLOY
- TERMINAL 2 : COPPER ALLOY
- TERMINAL 3 : COPPER ALLOY
- TERMINAL 4 : COPPER ALLOY
- HOUSING : HIGH TEMP. PLASTIC



RECOMMENDED PCB LAYOUT
TOLERANCE: ±0.05
(TOP VIEW)



RECOMMENDED
ø3.5 MATING PLUG

MODEL NO.	LSH-3714	LSH-3713	LSH-3713B
SCHEMATIC			

LINKPLEX TECHNOLOGY LIMITED

PART NAME: 3.5mm SMD AUDIO JACK
PART NO.: LSH-371

TOLERANCE UNLESS OTHERWISE SPECIFIED:
0±0.3
0.0±0.25
0.00±0.2

UNIT: mm

DESIGN	H.L.TAN	DATE	23-7-2023	SCALE	4:1
DRAWING	H.Q.ZHOU	DATE	23-7-2023	MATERIAL	*
CHECK	T.Y.LI	DATE	23-7-2023	DWG. NO.	TZ\SH371-A/1.0
APPROVAL		DATE	23-7-2023	SHEET	1/1

F

E

D

C

B

A