

F

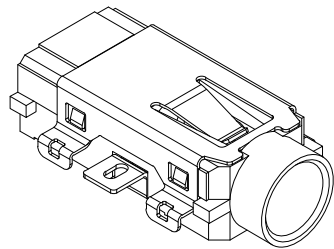
E

D

C

B

A

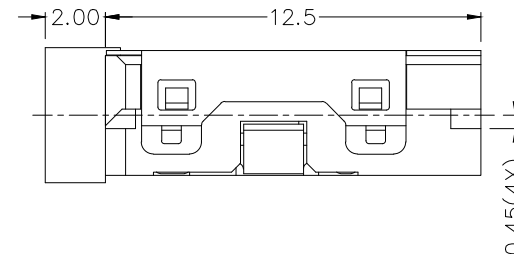
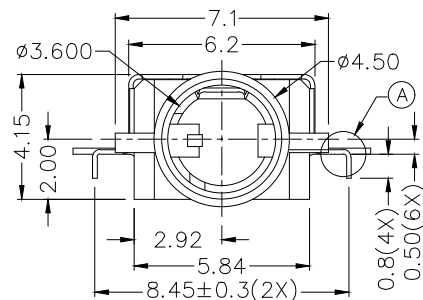
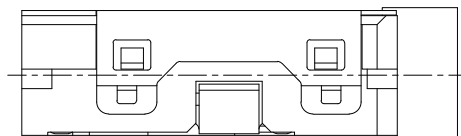


RoHS
Compliant

ZONE	SYMBOL	REVISION	APPROVAL	DATE
		UPDATE DRAWING	H.Q.ZHOU	31-1-2024

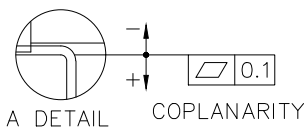
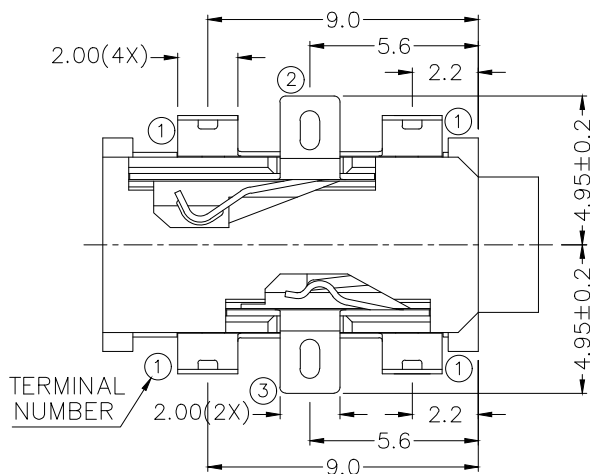
1

1



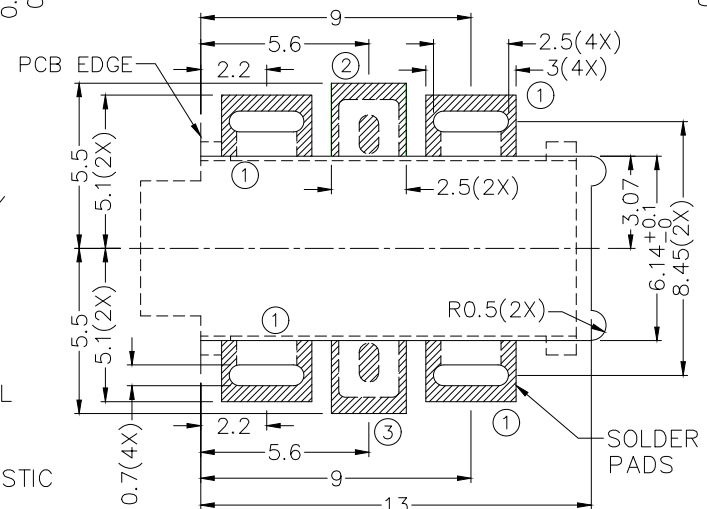
2

2

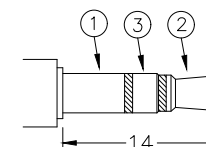


* MATERIAL

TERMINAL 1 : STAINLESS STEEL
TERMINAL 2 : COPPER ALLOY
TERMINAL 3 : COPPER ALLOY
HOUSING : HIGH TEMP. PLASTIC



RECOMMENDED PCB LAYOUT
TOLERANCE: ±0.05
(TOP VIEW)



RECOMMENDED
Ø3.5 MATING PLUG

3

3

MODEL NO.	LSH-5033D
SCHEMATIC	

4

4



LINKPLEX TECHNOLOGY LIMITED

PART NAME	3.5mm SMD AUDIO JACK	TOLERANCE UNLESS	0.0±0.2 0.00±0.1	UNIT:	mm
PART NO.	LSH-503D	OTHERWISE SPECIFIED:	0.000±0.05		

DESIGN	T.Y.LI	DATE	22-8-2007	SCALE	4:1
DRAWING	J.H.ZHOU	DATE	31-1-2024	MATERIAL	*
CHECK	H.L.TAN	DATE	31-1-2024	DWG. NO.	TZ\SH503D-A/2.0
APPROVAL	H.Q.ZHOU	DATE	31-1-2024	SHEET	1/1

F

E

D

C

B

A