

F

E

D

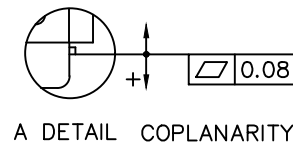
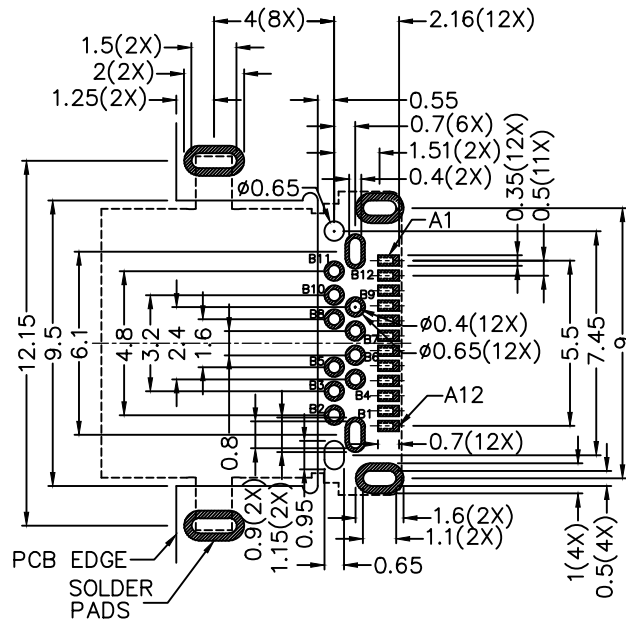
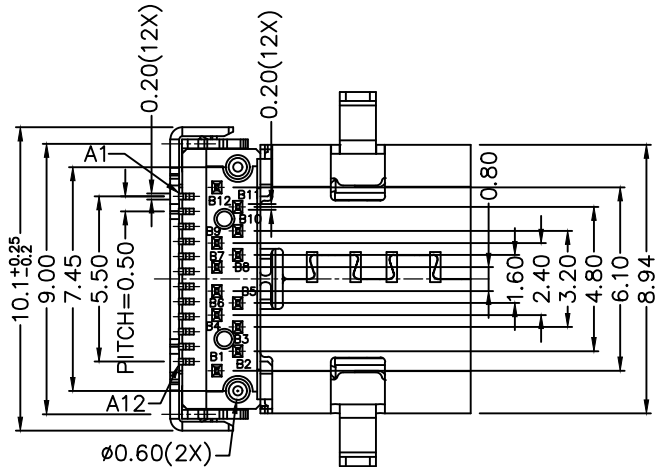
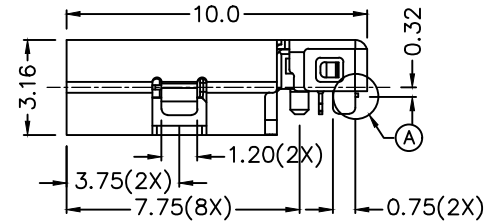
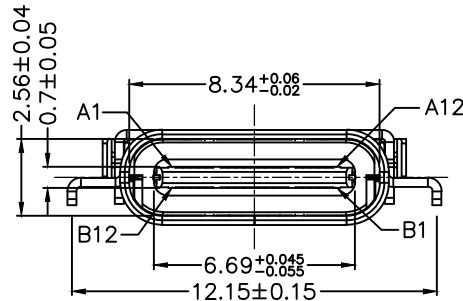
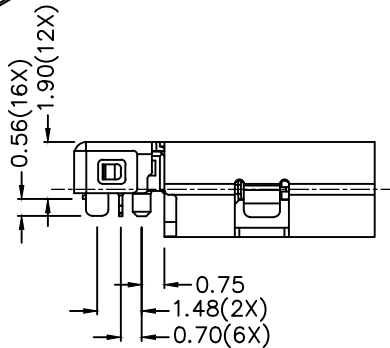
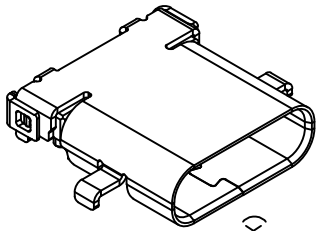
C

B

A

RoHS Compliant

ZONE	SYMBOL	REVISION	APPROVAL	DATE
		UPDATE DRAWING	H.Q.ZHOU	10-6-2024



RECOMMENDED PCB LAYOUT TOLERANCE: ±0.05 (TOP VIEW)

PIN NO.	A1	A2	A3	A4	A5	A6	A7	A8	A9	A10	A11	A12
	GND	TX1+	TX1-	Vbus	CC1	D+	D-	SBU1	Vbus	RX2-	RX2+	GND
PIN NO.	B12	B11	B10	B9	B8	B7	B6	B5	B4	B3	B2	B1
	GND	RX1+	RX1-	Vbus	SBU2	D-	D+	CC2	Vbus	TX2-	TX2+	GND

DESCRIPTION	MATERIAL	PLATING
CONTACT	COPPER ALLOY	NICKEL PLATED ON ALL AREA, Au 3u" MIN ON CONTACT AREA, Tin PLATED ON SOLDER AREA
SHELL	STAINLESS STEEL	NICKEL(NI)
INNER GROUND COVER SHELL	STAINLESS STEEL	
MIDDLE PLATE	STAINLESS STEEL	
INSULATOR	HIGH TEMP. PLASTIC	COLOR:BLACK

**LINKPLEX TECHNOLOGY LIMITED**

DESIGN	H.L.TAN	DATE	23-4-2021	SCALE	4:1
DRAWING	J.H.ZHOU	DATE	10-6-2024	MATERIAL	
CHECK	T.Y.LI	DATE	10-6-2024	DWG. NO.	TZ\UBC106D-A/2.0
APPROVAL	H.Q.ZHOU	DATE	10-6-2024	SHEET	1/1

PART NAME	USB 3.2 TYPE-C (24PIN) CONNECTOR	TOLERANCE UNLESS	0.0±0.3	UNIT:	mm
PART NO.	LUB-C106D	OTHERWISE SPECIFIED:	0.00±0.25 0.000±0.1		

F

E

D

C

B

A