

F

E

D

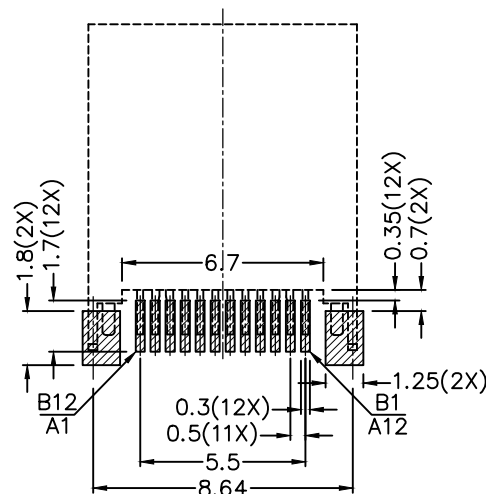
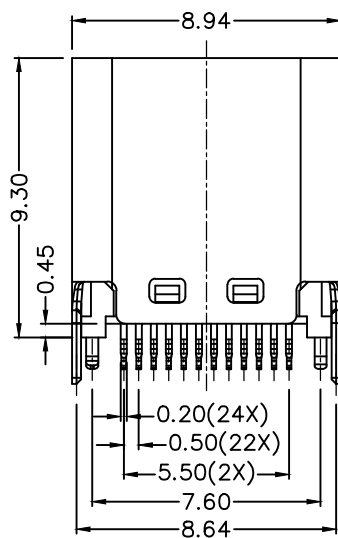
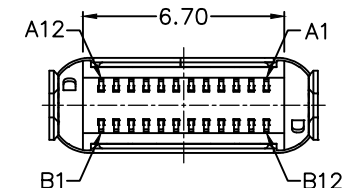
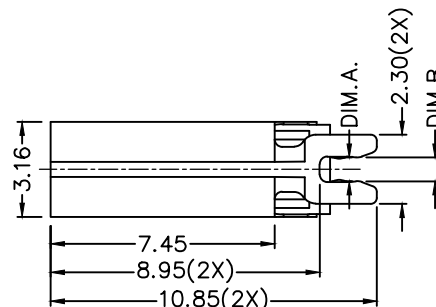
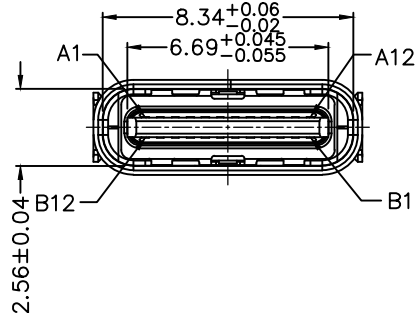
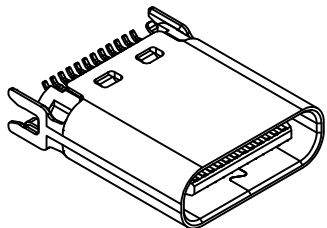
C

B

A

RoHS  
Compliant

ZONE	SYMBOL	REVISION	APPROVAL	DATE



RECOMMENDED PCB LAYOUT  
TOLERANCE:  $\pm 0.05$   
(TOP VIEW)

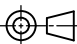
MODEL NO.	LUB-C132D-0	LUB-C132D-1
DIM.A.(CONTACT)	$0.8^{+0}_{-0.08}(13X)$	$1^{+0}_{-0.08}(13X)$
DIM.B.(SHELL)	$0.8^{+0.05}_{-0}(2X)$	$1^{+0.05}_{-0}(2X)$

DESCRIPTION	MATERIAL	PLATING
CONTACT	COPPER ALLOY	NICKEL PLATED ON ALL AREA, GOLD FLASH ON CONTACT AND SOLDER AREA.
SHELL	STAINLESS STEEL	NICKEL(Ni)
EMI PLATE	STAINLESS STEEL	
MIDDLE PLATE	STAINLESS STEEL	NICKEL(Ni)
INSULATOR	HIGH TEMP. PLASTIC	COLOR:BLACK

PIN ASSIGNMENT (FRONT VIEW)

PIN NO.	A1	A2	A3	A4	A5	A6	A7	A8	A9	A10	A11	A12
	GND	TX1+	TX1-	Vbus	CC1	D+	D-	SBU1	Vbus	RX2-	RX2+	GND
PIN NO.	B12	B11	B10	B9	B8	B7	B6	B5	B4	B3	B2	B1
	GND	RX1+	RX1-	Vbus	SBU2	D-	D+	CC2	Vbus	TX2-	TX2+	GND

 **LINKPLEX TECHNOLOGY LIMITED**

PART NAME	USB 3.2 TYPE-C (24PIN) CONNECTOR	TOLERANCE UNLESS	0.0±0.3 0.00±0.25	UNIT:	
PART NO.	LUB-C132D	OTHERWISE SPECIFIED:	0.000±0.1		

DESIGN	H.L.TAN	DATE	12-8-2023	SCALE	4:1
DRAWING	J.Q.ZHOU	DATE	10-6-2024	MATERIAL	
CHECK	T.Y.LI	DATE	10-6-2024	DWG. NO.	TZ\UBC132D-A/1.0
APPROVAL	H.Q.ZHOU	DATE	10-6-2024	SHEET	1/1