

F

E

D

C

B

A

RoHS
Compliant

ZONE	SYMBOL	REVISION	APPROVAL	DATE
		ADD RECOMMENDED WATERPROOF GASKET DIAGRAM	H.Q.ZHOU	7-7-2024

1

1

2

2

* MATERIAL

TERMINAL 1 : BRASS
 TERMINAL 2 : COPPER ALLOY
 TERMINAL 3 : BRASS
 SHIELD : BRASS
 HOUSING : HIGH TEMP. PLASTIC
 COVER : HIGH TEMP. PLASTIC

MODEL NO.	LWP-1001HS
SCHEMATIC	
CENTER PIN	ø1.3mm

RECOMMENDED PCB LAYOUT
 TOLERANCE: ±0.05
 (TOP VIEW)

3

3

RECOMMENDED
 DC MATING PLUG

4

4

LINKPLEX TECHNOLOGY LIMITED

DESIGN	H.L.TAN	DATE	9-10-2015	SCALE	4:1
DRAWING	J.H.ZHOU	DATE	7-7-2024	MATERIAL	*
CHECK	T.Y.LI	DATE	7-7-2024	DWG. NO.	TZ\WP1001HS-A/3.1
APPROVAL	H.Q.ZHOU	DATE	7-7-2024	SHEET	1/2

PART NAME WATERPROOF DC POWER JACK
 PART NO. LWP-1001HS

TOLERANCE UNLESS 0.0±0.2
 0.00±0.1
 OTHERWISE SPECIFIED: 0.000±0.05

UNIT:
 mm

F

E

D

C

B

A

F

E

D

C

B

A

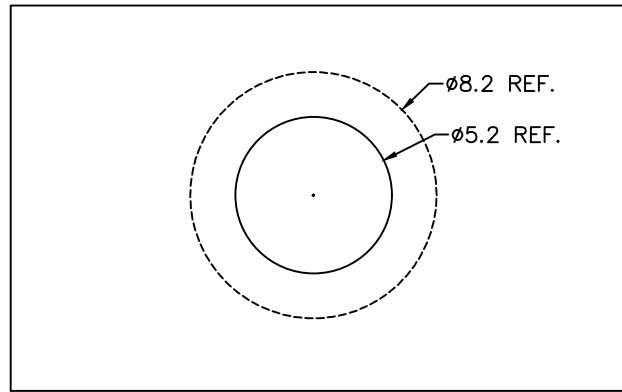


RoHS
Compliant

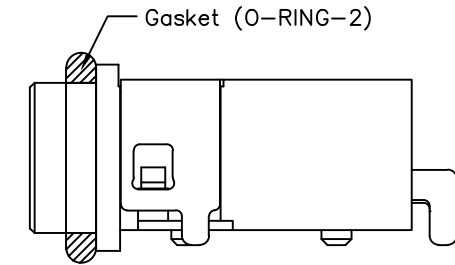
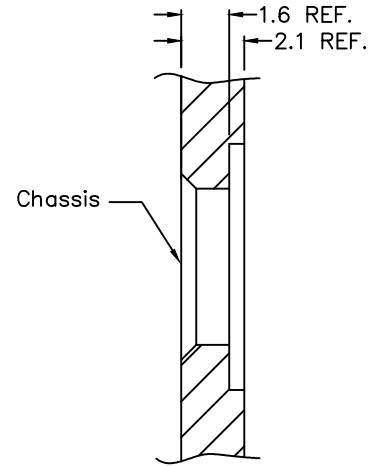
ZONE	SYMBOL	REVISION	APPROVAL	DATE

1

1



Top View



Interference gap between chassis
and Gasket is 0.4 min

(40% or above of compression
of Gasket's diameter)

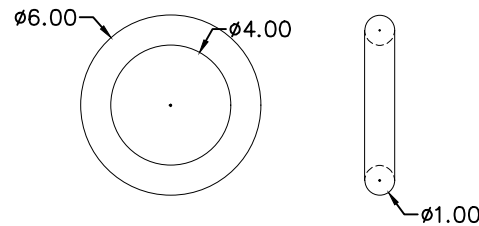
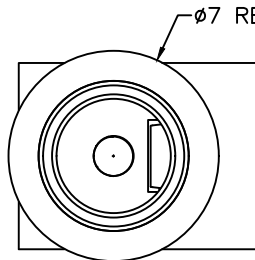
2

2

3

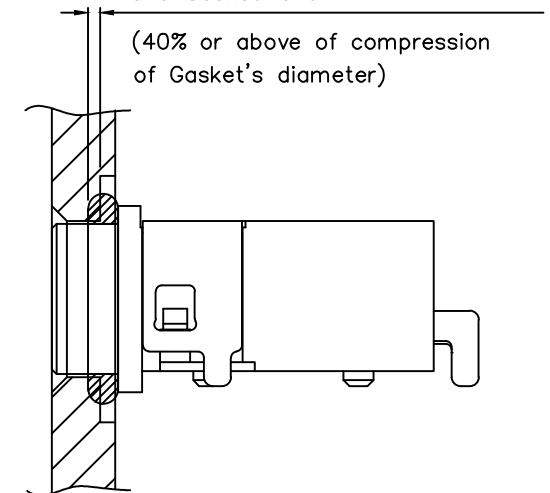
3

Gasket size
(uncompressed)



* Recommended Waterproof Gasket

Gasket Part No.: O-RING-2



After assembling on chassis

4

4



LINKPLEX TECHNOLOGY LIMITED

DESIGN	H.L.TAN	DATE	9-10-2015	SCALE	4:1
DRAWING	J.H.ZHOU	DATE	7-7-2024	MATERIAL	
CHECK	T.Y.LI	DATE	7-7-2024	DWG. NO.	TZ\WP1001HS-A/3.1
APPROVAL	H.Q.ZHOU	DATE	7-7-2024	SHEET	2/2
PART NAME	WATERPROOF DC POWER JACK		TOLERANCE UNLESS	0.0±0.2	UNIT:
PART NO.	LWP-1001HS		OTHERWISE SPECIFIED:	0.00±0.1	mm
				0.000±0.05	

F

E

D

C

B

A