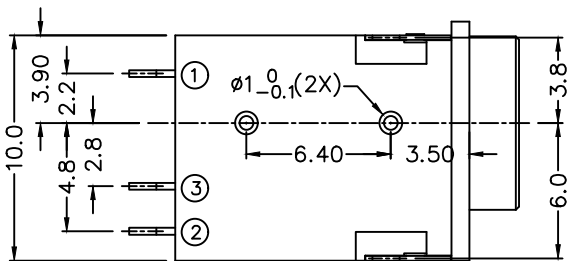
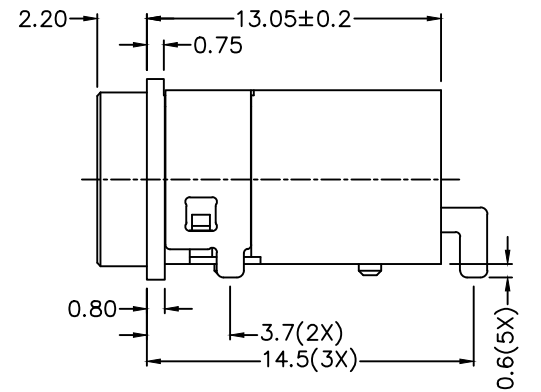
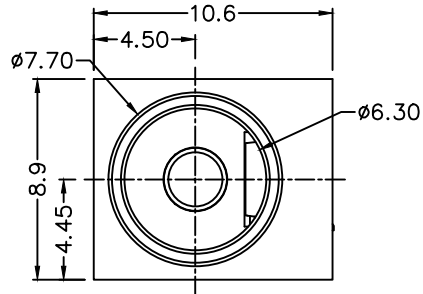
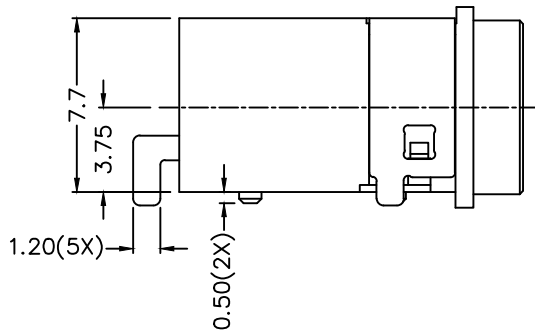
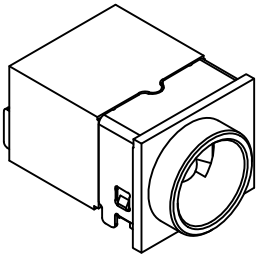


C		B		A	
ZONE	SYMBOL	REVISION		APPROVAL	DATE
		ADD RECOMMENDED WATERPROOF GASKET DIAGRAM		H.Q.ZHOU	7-7-2024



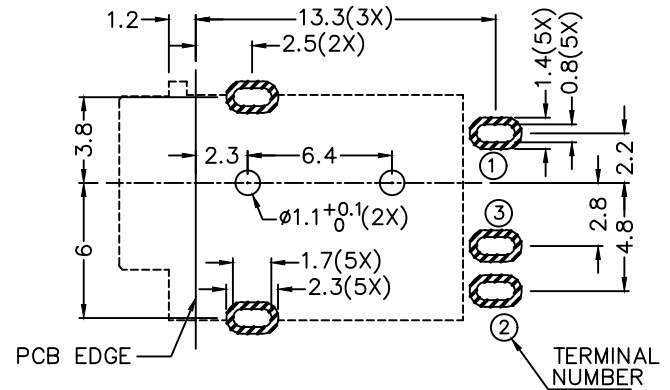
**RoHS**  
Compliant



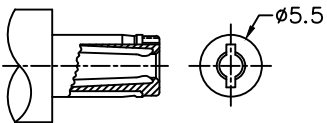
**\* MATERIAL**

TERMINAL 1 : BRASS  
 TERMINAL 2 : COPPER ALLOY  
 TERMINAL 3 : BRASS  
 SHIELD : BRASS  
 HOUSING : HIGH TEMP. PLASTIC  
 COVER : HIGH TEMP. PLASTIC

MODEL NO.	LWP-1002HS
SCHEMATIC	
CENTER PIN	φ2mm
	φ2.5mm



RECOMMENDED PCB LAYOUT  
 TOLERANCE: ±0.05  
 (TOP VIEW)



RECOMMENDED  
DC MATING PLUG

**LINKPLEX TECHNOLOGY LIMITED**

DESIGN				H.L.TAN	DATE	30-10-2018	SCALE	3:1
DRAWING				J.H.ZHOU	DATE	7-7-2024	MATERIAL	*
CHECK				T.Y.LI	DATE	7-7-2024	DWG. NO.	TZ\WP1002HS-A/2.1
APPROVAL				H.Q.ZHOU	DATE	7-7-2024	SHEET	1/2

PART NAME	WATERPROOF DC POWER JACK	TOLERANCE UNLESS	0.0±0.2	UNIT:
PART NO.	LWP-1002HS	OTHERWISE SPECIFIED:	0.00±0.1 0.000±0.05	

F

E

D

C

B

A

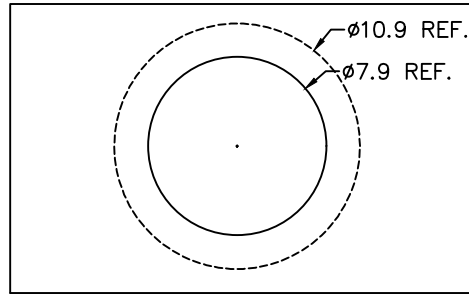


RoHS  
Compliant

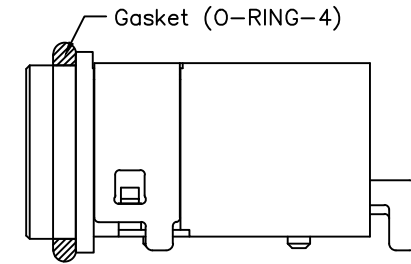
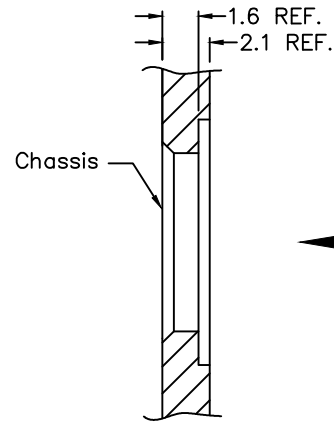
ZONE	SYMBOL	REVISION	APPROVAL	DATE

1

1



Top View



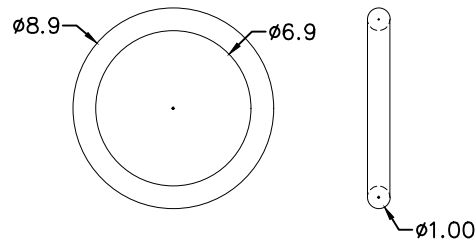
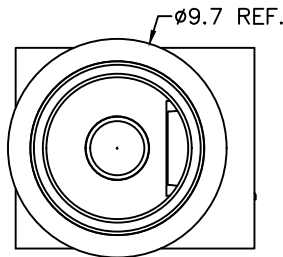
2

2

3

3

Gasket size  
(uncompressed)

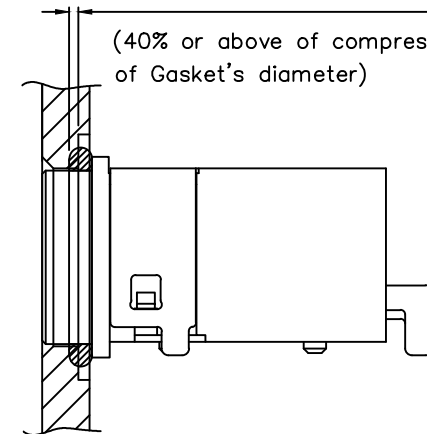


\* Recommended Waterproof Gasket

Gasket Part No.: O-RING-4

Interference gap between chassis  
and Gasket is 0.4 min

(40% or above of compression  
of Gasket's diameter)



After assembling on chassis

4

4



LINKPLEX TECHNOLOGY LIMITED

DESIGN	H.L.TAN	DATE	30-10-2018	SCALE	3:1
DRAWING	J.H.ZHOU	DATE	7-7-2024	MATERIAL	
CHECK	T.Y.LI	DATE	7-7-2024	DWG. NO.	TZ\WP1002HS-A/2.1
APPROVAL	H.Q.ZHOU	DATE	7-7-2024	SHEET	2/2

PART NAME	WATERPROOF DC POWER JACK	TOLERANCE UNLESS	0.0±0.2	UNIT:	mm
PART NO.	LWP-1002HS	OTHERWISE SPECIFIED:	0.00±0.1 0.000±0.05		

F

E

D

C

B

A