



F

E

D

C

B

A

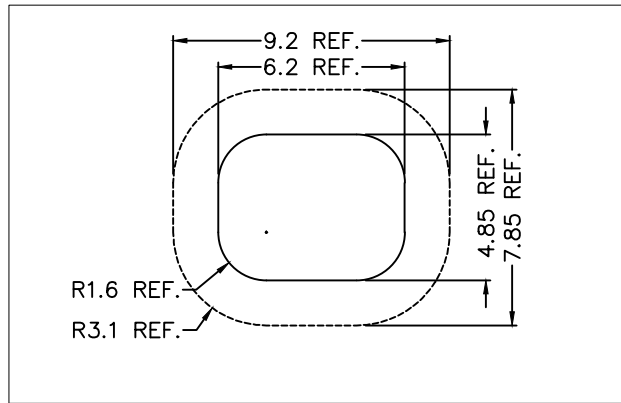


RoHS  
Compliant

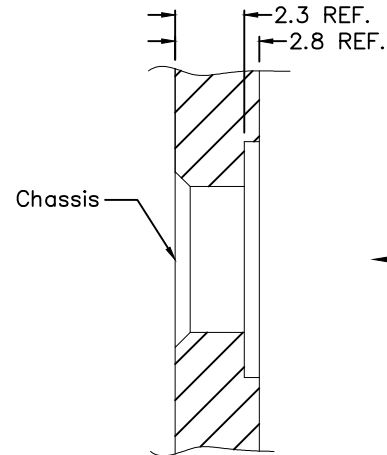
ZONE	SYMBOL	REVISION	APPROVAL	DATE

1

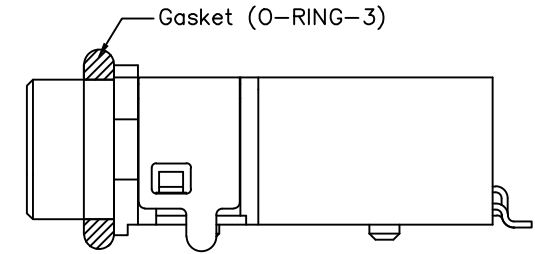
1



Top View



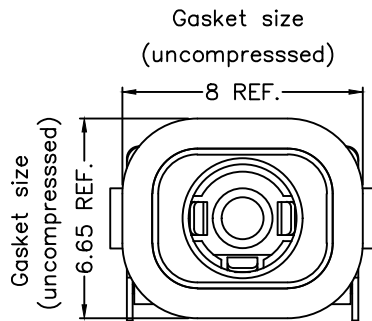
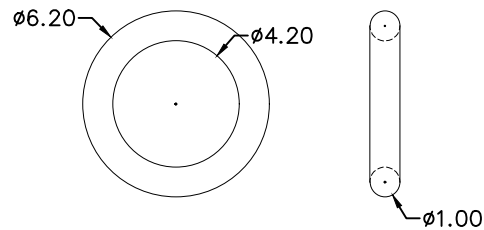
Chassis



Gasket (O-RING-3)

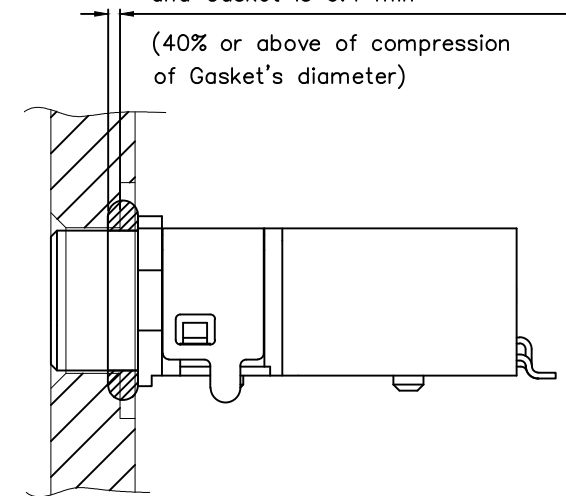
2

2

Gasket size  
(uncompressed)Gasket size  
(uncompressed)

\* Recommended Waterproof Gasket

Gasket Part No.: O-RING-3

Interference gap between chassis  
and Gasket is 0.4 min(40% or above of compression  
of Gasket's diameter)

After assembling on chassis

3

3

4

4



LINKPLEX TECHNOLOGY LIMITED

DESIGN	H.L.TAN	DATE	21-5-2012	SCALE	4:1
DRAWING	G.P.YI	DATE	7-7-2024	MATERIAL	
CHECK	T.Y.LI	DATE	7-7-2024	DWG. NO.	TZ\WP3001DS-A/3.2
APPROVAL	H.Q.ZHOU	DATE	7-7-2024	SHEET	2/2

PART NAME WATERPROOF 3.5MM AUDIO JACK

TOLERANCE UNLESS 0.0±0.2

UNIT: mm



PART NO. LWP-3001DS

OTHERWISE SPECIFIED: 0.00±0.1  
0.000±0.05

F

E

D

C

B

A