



F

E

D

C

B

A

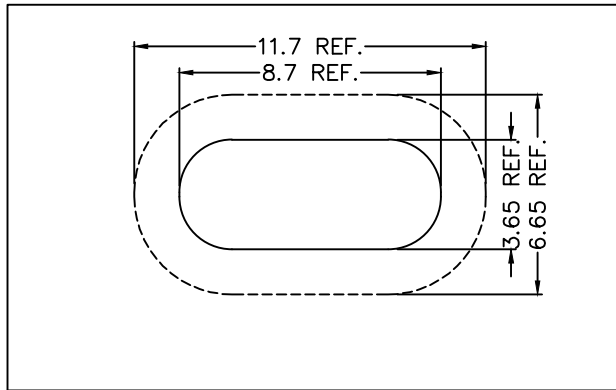


RoHS  
Compliant

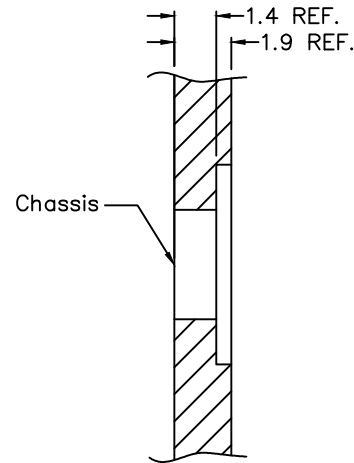
ZONE	SYMBOL	REVISION	APPROVAL	DATE

1

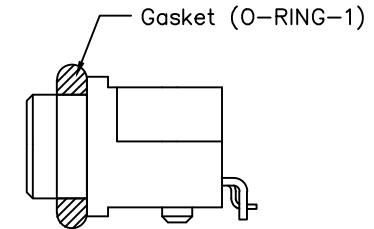
1



Top View



Chassis



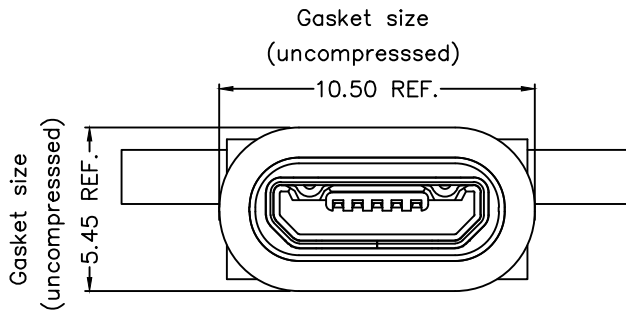
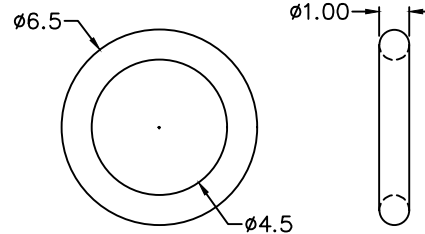
Gasket (O-RING-1)

2

2

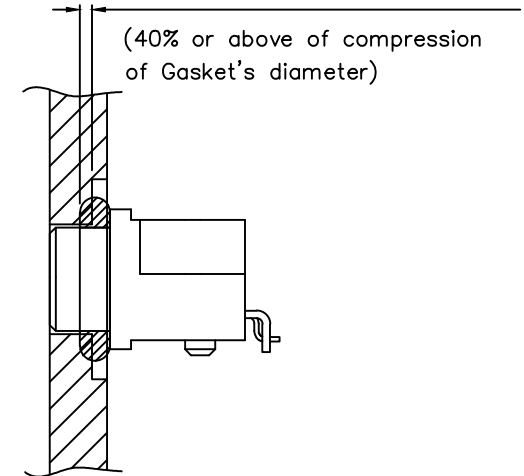
3

3

Gasket size  
(uncompressed)

\* Recommended Waterproof Gasket

Gasket Part No.: O-RING-1

Interference gap between chassis  
and Gasket is 0.4 min(40% or above of compression  
of Gasket's diameter)

After assembling on chassis

4

4

LINKPLEX TECHNOLOGY LIMITED

DESIGN	H.L.TAN	DATE	9-3-2015	SCALE	4:1
DRAWING	J.H.ZHOU	DATE	7-7-2024	MATERIAL	
CHECK	T.Y.LI	DATE	7-7-2024	DWG. NO.	TZ\WP4002D-A/3.1
APPROVAL	H.Q.ZHOU	DATE	7-7-2024	SHEET	2/2

PART NAME	WATERPROOF USB MICRO B	TOLERANCE UNLESS	0.0±0.2	UNIT:	mm
PART NO.	LWP-4002D	OTHERWISE SPECIFIED:	0.00±0.1 0.000±0.05		

F

E

D

C

B

A