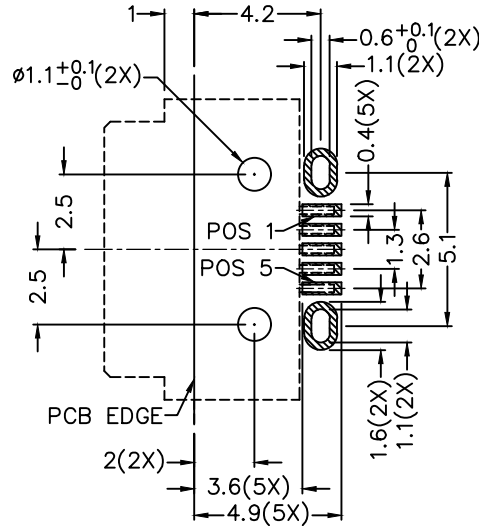
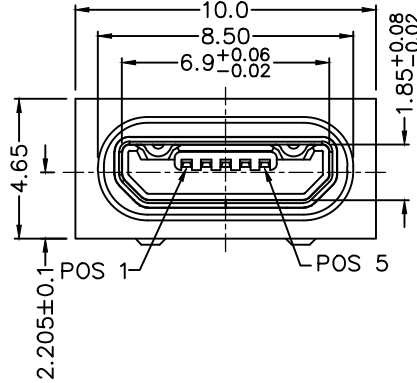
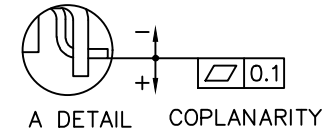
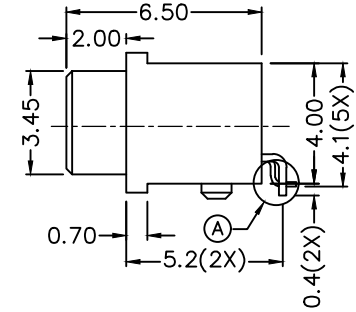


RoHS
Compliant



RECOMMENDED PCB LAYOUT
TOLERANCE: ± 0.05
(TOP VIEW)

C		B		A	
ZONE	SYMBOL	REVISION		APPROVAL	DATE
		ADD RECOMMENDED WATERPROOF GASKET DIAGRAM		H.Q.ZHOU	7-7-2024



DESCRIPTION	MATERIAL	PLATING
TERMINALS	COPPER ALLOY	NICKEL PLATED ON ALL AREA, GOLD FLASH ON CONTACT & SOLDER AREA
SHELL	STAINLESS STEEL	NICKEL PLATED
HOUSING	HIGH TEMP. PLASTIC	
INSULATOR	HIGH TEMP. PLASTIC	

LINKPLEX TECHNOLOGY LIMITED

PART NAME	WATERPROOF USB MICRO B	TOLERANCE UNLESS	0.0±0.2	UNIT:
PART NO.	LWP-4002D-H3	OTHERWISE SPECIFIED:	0.00±0.1 0.000±0.05	

DESIGN	H.L.TAN	DATE	23-7-2015	SCALE	4:1
DRAWING	J.H.ZHOU	DATE	7-7-2024	MATERIAL	
CHECK	T.Y.LI	DATE	7-7-2024	DWG. NO.	TZ\WP4002D-H3-A/3.1
APPROVAL	H.Q.ZHOU	DATE	7-7-2024	SHEET	1/2

F

E

D

C

B

A

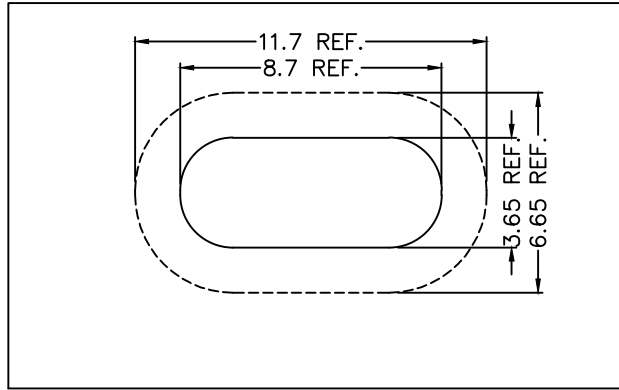


RoHS
Compliant

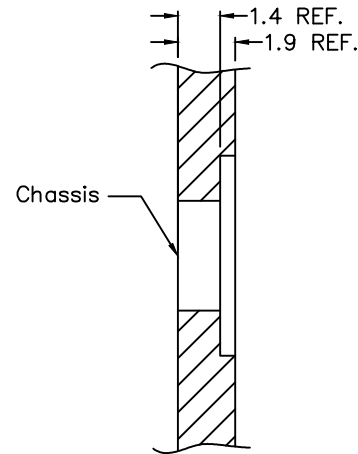
ZONE	SYMBOL	REVISION	APPROVAL	DATE

1

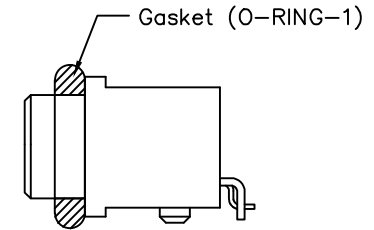
1



Top View

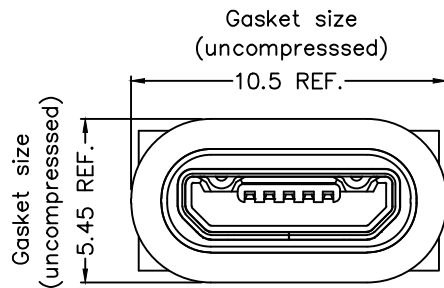
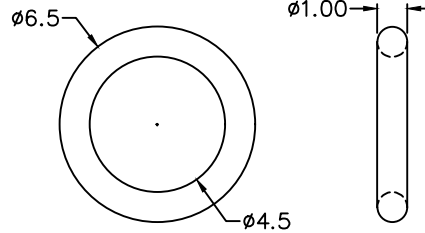


Chassis



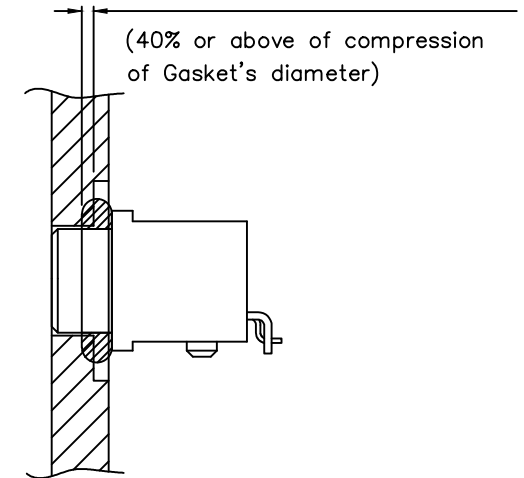
2

2

Gasket size
(uncompressed)Gasket size
(uncompressed)

* Recommended Waterproof Gasket

Gasket Part No.: O-RING-1

Interference gap between chassis
and Gasket is 0.4 min(40% or above of compression
of Gasket's diameter)

After assembling on chassis

3

3

4

4



LINKPLEX TECHNOLOGY LIMITED

DESIGN	H.L.TAN	DATE	23-7-2015	SCALE	4:1
DRAWING	J.H.ZHOU	DATE	7-7-2024	MATERIAL	
CHECK	T.Y.LI	DATE	7-7-2024	DWG. NO.	TZ\WP4002D-H3-A/3.1
APPROVAL	H.Q.ZHOU	DATE	7-7-2024	SHEET	2/2

PART NAME WATERPROOF USB MICRO B

TOLERANCE UNLESS 0.0±0.2

UNIT: mm



PART NO. LWP-4002D-H3

OTHERWISE SPECIFIED: 0.00±0.1
0.000±0.05

F

E

D

C

B

A