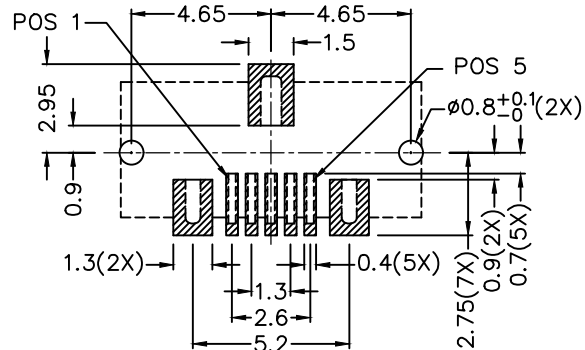
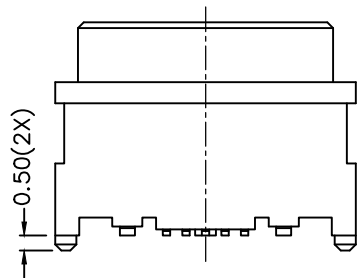
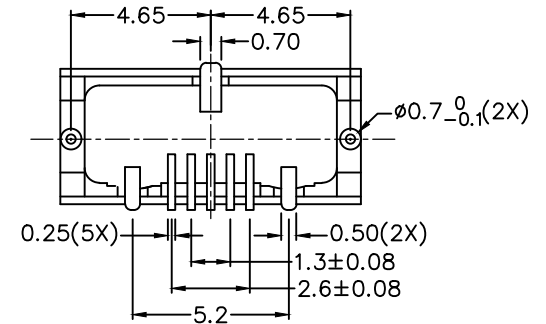
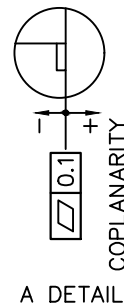
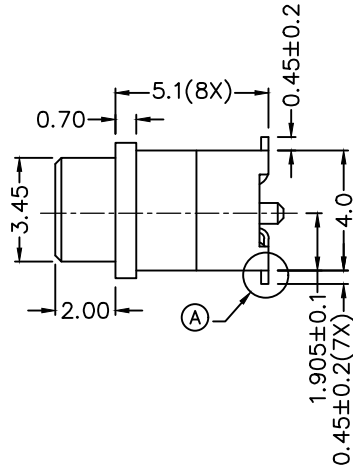
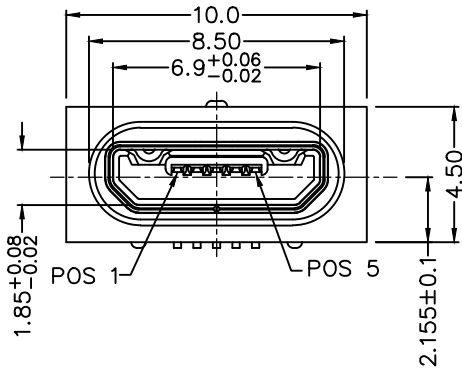
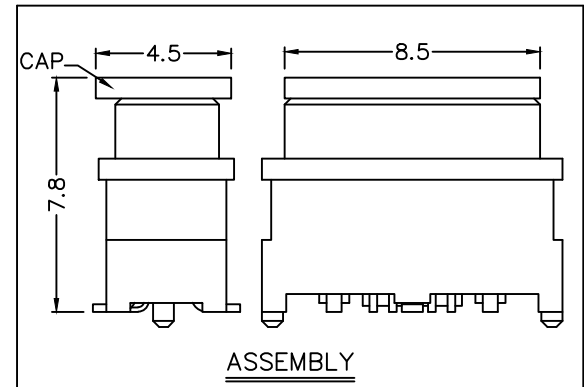


RoHS  
Compliant

C		B		A	
ZONE	SYMBOL	REVISION		APPROVAL	DATE
		ADD RECOMMENDED WATERPROOF GASKET DIAGRAM		H.Q.ZHOU	7-7-2024



RECOMMENDED PCB LAYOUT  
TOLERANCE: ±0.05  
(TOP VIEW)



DESCRIPTION	MATERIAL	PLATING
TERMINALS	COPPER ALLOY	NICKEL PLATED ON ALL AREA, GOLD FLASH ON CONTACT & SOLDER AREA
SHELL	STAINLESS STEEL	NICKEL PLATED
INSULATOR	HIGH TEMP. PLASTIC	COLOR: BLACK
HOUSING	HIGH TEMP. PLASTIC	COLOR: BLACK
CAP	HIGH TEMP. PLASTIC	COLOR: BLACK

**LINKPLEX TECHNOLOGY LIMITED**

PART NAME	WATERPROOF USB MICRO B	TOLERANCE UNLESS	0.0±0.2	UNIT:
PART NO.	LWP-4003D	OTHERWISE SPECIFIED:	0.00±0.1 0.000±0.05	

DESIGN	H.L.TAN	DATE	3-11-2017	SCALE	4:1
DRAWING	J.H.ZHOU	DATE	7-7-2024	MATERIAL	
CHECK	T.Y.LI	DATE	7-7-2024	DWG. NO.	TZ\WP4003D-A/2.1
APPROVAL	H.Q.ZHOU	DATE	7-7-2024	SHEET	1/2

F

E

D

C

B

A

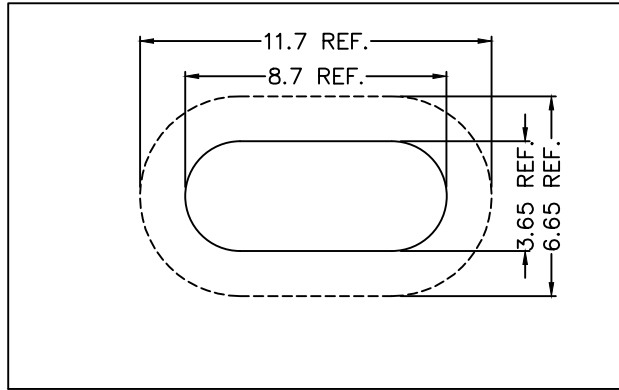


RoHS Compliant

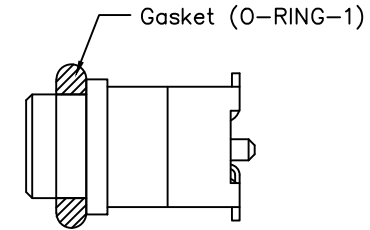
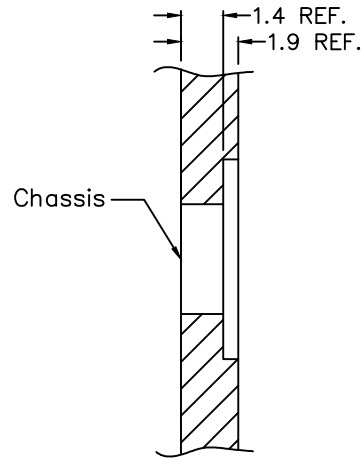
ZONE	SYMBOL	REVISION	APPROVAL	DATE

1

1



Top View



2

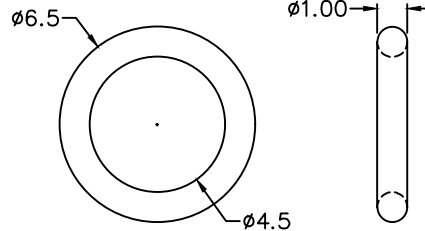
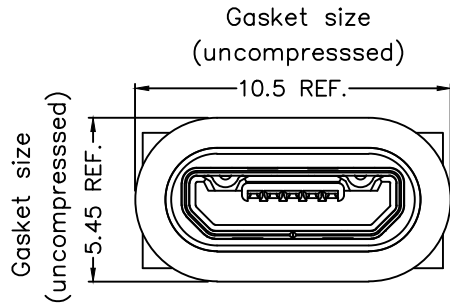
2

Interference gap between chassis and Gasket is 0.4 min

(40% or above of compression of Gasket's diameter)

3

3



\* Recommended Waterproof Gasket

Gasket Part No.: O-RING-1

After assembling on chassis

4

4

LINKPLEX TECHNOLOGY LIMITED

DESIGN	H.L.TAN	DATE	3-11-2017	SCALE	4:1
DRAWING	J.H.ZHOU	DATE	7-7-2024	MATERIAL	
CHECK	T.Y.LI	DATE	7-7-2024	DWG. NO.	TZ\WP4003D-A/2.1
APPROVAL	H.Q.ZHOU	DATE	7-7-2024	SHEET	2/2

PART NAME	WATERPROOF USB MICRO B	TOLERANCE UNLESS	0.0±0.2	UNIT:	mm
PART NO.	LWP-4003D	OTHERWISE SPECIFIED:	0.00±0.1 0.000±0.05		

F

E

D

C

B

A